



KTEB-218-UV-TP-PIC-DW-KIT

CFL ELECTRONIC FLUORESCENT



PRODUCT FEATURES

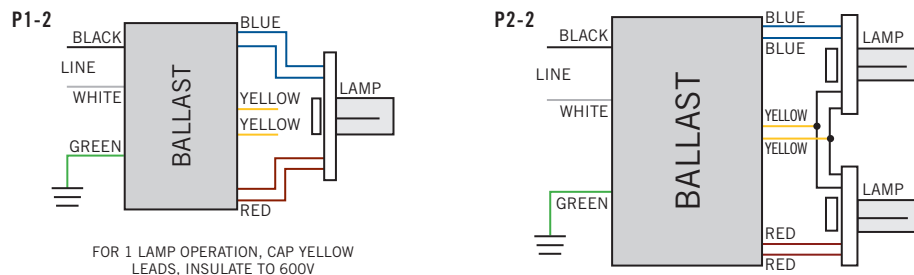
STARTING METHOD: Rapid	INPUT VOLTAGE: 120-277VAC ±10%	WARRANTY: 5 Years
LAMP CONNECTION: Series	INPUT FREQUENCY: 50/60 Hz	POWER FACTOR: High

- Sound Rated: A
- Minimum Starting Temperature: 0°F, -18°C
- Maximum Case Temperature: 167°F, 75°C
- Meets FCC Part 18 (Class B) Consumer Limits
- Transient Protection Meets ANSI/IEEE C62.41 Cat. A
- Ballast frequency for all listed lamps: 20KHz-33KHz
- Lamp end-of-life protected

ELECTRICAL SPECIFICATIONS

LAMP TYPE	NO. OF LAMPS	INPUT VOLTS	INPUT WATTS	INPUT CURRENT (AMPS)	POWER FACTOR	CREST FACTOR	BALLAST FACTOR	BALLAST EFFICACY FACTOR	MAX THD%	WIRING DIAGRAM
CFQ18W/G24q	2	120	43.0	0.36	0.99	1.53	1.00	2.33	10	P2-2
		277	43.0	0.16	0.98	1.53	1.00	2.33	10	P2-2
	1	120	25.0	0.21	0.99	1.60	1.25	5.00	12	P1-2
		277	25.0	0.10	0.96	1.60	1.25	5.00	12	P1-2
CFTR18W/GX24q	2	120	43.0	0.36	0.99	1.53	1.00	2.33	10	P2-2
		277	43.0	0.16	0.98	1.53	1.00	2.33	10	P2-2
	1	120	25.0	0.21	0.99	1.60	1.25	5.00	12	P1-2
		277	25.0	0.10	0.96	1.60	1.00	5.00	12	P1-2
CFQ26W/G24q	1	120	28.0	0.24	0.99	1.56	1.00	3.57	12	P1-2
		277	28.0	0.10	0.96	1.56	1.00	3.57	12	P1-2
CFTR26W/GX24q	1	120	28.0	0.24	0.99	1.56	1.00	3.57	12	P1-2
		277	28.0	0.10	0.96	1.56	1.00	3.57	12	P1-2
CFS21W/GR10q	1	120	24.0	0.20	0.99	1.59	1.05	4.38	12	P1-2
		277	24.0	0.20	0.96	1.59	1.05	4.38	12	P1-2
CFS28W/GR10q	1	120	31.0	0.26	0.99	1.52	1.00	3.23	10	P1-2
		277	31.0	0.11	0.97	1.52	1.00	3.23	10	P1-2

WIRING DIAGRAMS

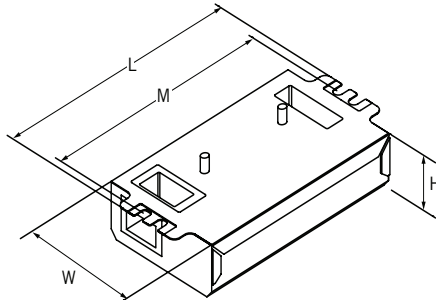




KTEB-218-UV-TP-PIC-DW-KIT

CFL ELECTRONIC FLUORESCENT

CASE STYLE/DIMENSIONS



CASE DIMENSIONS

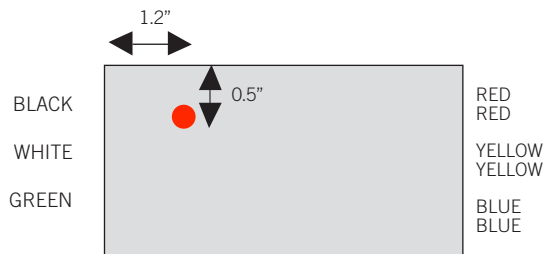
LENGTH: 5.00"
WIDTH: 2.40"
HEIGHT: 1.00"
MOUNTING: 4.63"
UNIT WEIGHT: 0.70 lbs

STANDARD LEAD LENGTHS*

BLACK: 10.00"
WHITE: 10.00"
BLUE: 10.00" X 10.00"
RED: 10.00" X 10.00"
YELLOW: 10.00" X 10.00"

*Consult Keystone for special lead length requirements.

HOT SPOT LOCATION



ORDERING INFORMATION

ORDER CODE	PACKAGING STYLE	PACK QTY.	ITEM STATUS
KTEB-218-UV-TP-PIC-DW-KIT		1	QuickShip

CATALOG NUMBER BREAKDOWN

KTEB-218-UV-TP-PIC-DW-KIT

Keystone Technologies | 2 | 18 | Universal | Thermally | Active Power | Dual Wire | Includes Leads and
 Electronic Ballast | Lamps | Watts | Voltage Input | Protected | Factor Correction | Connectors | Mounting Bracket
 (120-277V)