



**SMART//SAFE**  
LED EMERGENCY BACK-UP

# KT-EMRG-LED-4C-400-EN2

## CONSTANT WATTAGE LED EMERGENCY BACK-UP

### DESCRIPTION

LED Emergency Back-Up Driver | Standard Side Exit Wire Leads | 4W Output



**DRIVER TYPE:** Constant Wattage LED Emergency

**MAX. OUTPUT POWER:** 4W

**INPUT VOLTAGE:** 120-277Vac  $\pm 10\%$

**OUTPUT VOLTAGE:** 12~55 Vdc

**OUTPUT CURRENT:** 73-333 mA

**WARRANTY:** 5 Years



### ELECTRICAL SPECIFICATIONS

<b>Input Voltage Range</b>	120-277Vac $\pm 10\%$
<b>Frequency</b>	50/60Hz
<b>Power Factor</b>	> 0.5 under 120~277Vac input
<b>Inrush Current</b>	< 5A
<b>Max input Current</b>	50mA @ 120V
<b>Output Voltage Range</b>	12-55 Vdc Class 2 compliant
<b>Output Current Range</b>	73-333mA
<b>Output Power</b>	4W
<b>Protection</b>	<ul style="list-style-type: none"> <li>Over Voltage Protection: Hiccup mode. Protection will trigger when load voltage exceeds specified output voltage and will auto recover after the fault mode is removed.</li> <li>Over Current Protection: Hiccup mode. Protection will trigger when load current exceeds specified output current and will auto recover after the fault mode is removed.</li> <li>Short Circuit Protection: Hiccup mode. Protection will trigger when short circuit and will auto recover after the fault mode is removed.</li> <li>Over Temperature Protection: Protection will trigger when driver overheats and auto-recovery when cooled down.</li> </ul>
<b>Emergency Operation</b>	90 minutes
<b>Battery</b>	High-temperature, maintenance-free, LiFePO <sub>4</sub> battery, 6.4Vdc, 2 cell
<b>Recharge Time</b>	24 hours
<b>Battery Charging Current</b>	200mA

### ENVIRONMENTAL SPECIFICATIONS

<b>Operating Temperature</b>	0°C/32°F to 60°C/140°F
<b>Storage Temperature</b>	0 to 60°C/140°F
<b>Life Rating</b>	50,000 hrs
<b>Maximum Case Temperature</b>	75°C / 167°F

### SAFETY AND EMC COMPLIANCE

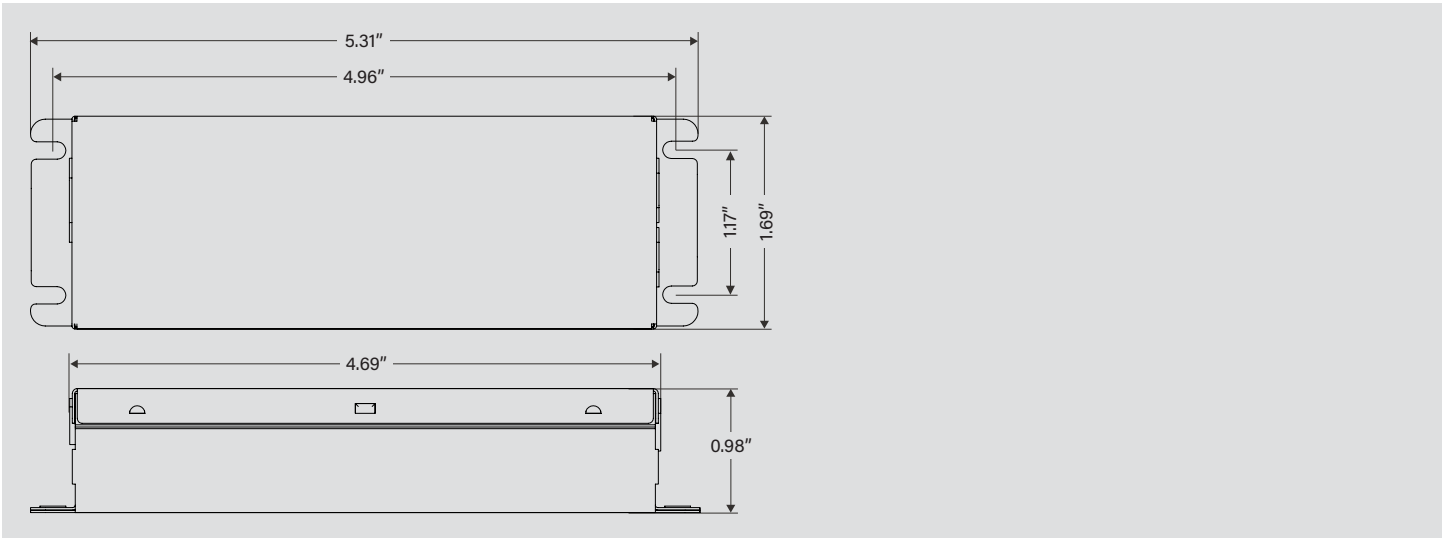
<b>UL/cUL</b>	UL 924
<b>FCC, 47CFR Part 15</b>	ANSI C63.4:2009 Class B (Consumer Limit)
<b>EN61000-3-2</b>	Harmonic Current Emissions Class C



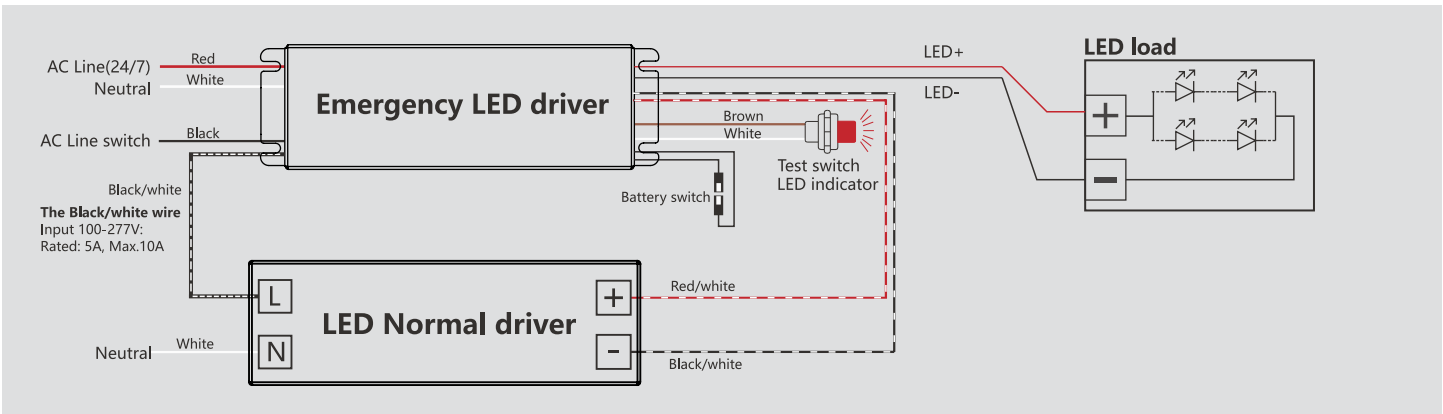
# KT-EMRG-LED-4C-400-EN2

## CONSTANT WATTAGE LED EMERGENCY BACK-UP

### PHYSICAL SPECIFICATIONS



### WIRING SPECIFICATIONS



Note: Wire colors are not final

### ORDERING INFORMATION

ORDER CODE	DESCRIPTION	CARTON QUANTITY	EASY CODE	UPC
KT-EMRG-LED-4C-400-EN2	1-Piece LED Emergency Back-up with Standard Side Exit Leads	30	ECU-15	843654162379

### CATALOG NUMBER BREAKDOWN

# KT-EMRG-LED-4C-400-EN2

- 1**
- 2**
- 3**
- 4**
- 5**
- 6**
- 7**

- 1** Keystone Technologies
- 2** Emergency Back-up Driver
- 3** LED Driver
- 4** Wattage Family
- 5** Nominal Lumen Output
- 6** 1-Piece Enclosure
- 7** Case Size Designation