



KT-EMRG-LED-12C-1200-EN /DF

CONSTANT WATTAGE LED EMERGENCY BACK-UP

DESCRIPTION

LED Emergency Back-Up Driver | Dual Flex Conduit | 12W Output | 120–277V Input



DRIVER TYPE: Constant Wattage LED Emergency

MAX. OUTPUT POWER: 12W

INPUT VOLTAGE: 120–277Vac $\pm 10\%$

OUTPUT VOLTAGE: 20–54Vdc

OUTPUT CURRENT: 250–600mA

SAFETY STANDARD: UL 924, Complies with CEC Title 20 Efficiency Standards

WARRANTY: 5 Years



ELECTRICAL SPECIFICATIONS

| | |
|--------------------------|--|
| Input voltage range | 120~277Vac $\pm 10\%$ |
| Frequency | 50/60Hz |
| Power factor | > 0.9 under 120~277Vac input |
| Inrush current | 20A @ 120V |
| Max input current | 50mA @120V, 35mA @240V, and 30mA @277V |
| THD | < 20% under 120~277Vac input |
| Output voltage | 20–60Vdc Class 2 compliant |
| Output current | 600mA @ 20Vdc, 206mA @ 58Vdc |
| Output power | 12W (constant) |
| Turn-on Delay Time | < 1s |
| Overshoot | < 10% |
| Ripple & Noise (pk-pk) | < 10% |
| Withstand voltage | Input to output, 2800Vdc, 2mA |
| Leakage current | Maximum 0.5mA at 277Vac, 60Hz input |
| Protection | <p>Over voltage protection: Hiccup mode. Protection will trigger when load voltage exceeds specified output voltage and will auto recover after the fault mode is removed.</p> <p>Over current protection: Hiccup mode. Protection will trigger when load current exceeds specified output current and will auto recover after the fault mode is removed.</p> <p>Short circuit protection: Hiccup mode. Protection will trigger when short circuit and will auto recover after the fault mode is removed.</p> |
| Emergency Operation | 90 minutes |
| Battery | High-temperature, maintenance-free, LiFePO ₄ battery, 9.6Vdc, 3 cell |
| Recharge Time | 24 hours |
| Battery Charging Current | 307mA |

ENVIRONMENTAL SPECIFICATIONS

| | |
|-----------------------------|--------------------------|
| Operating temperature | 0°C/32°F to 55°C/131°F |
| Storage temperature | –20°C/–4°F to 55°C/131°F |
| Humidity | 5% to 95% |
| MTBF | TBD |
| Life rating | TBD |
| Maximum ambient temperature | 55°C/131°F for battery |

SAFETY AND EMC COMPLIANCE

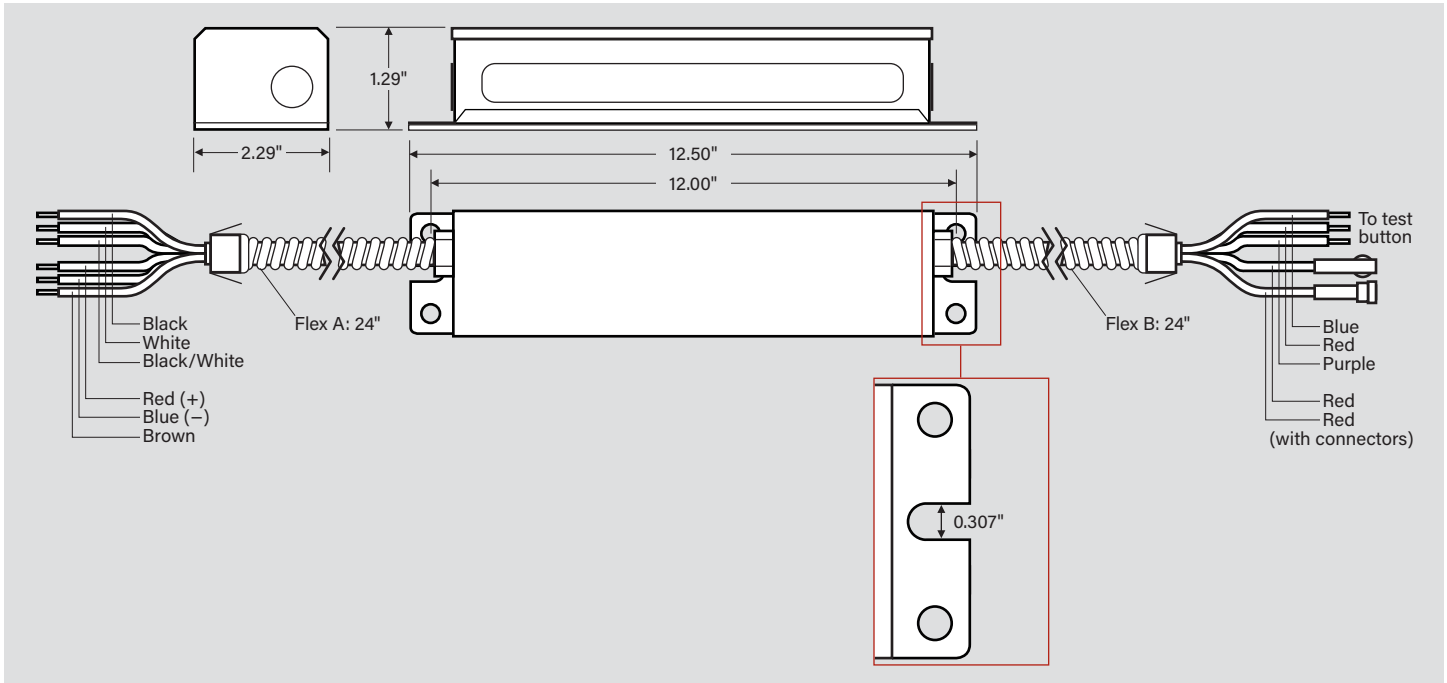
| | |
|--------------------|--|
| UL/cUL | UL 924 |
| FCC, 47CFR Part 15 | ANSI C63.4:2009 Class B (consumer limit) |
| EN61000-3-2 | Harmonic current emissions Class C |



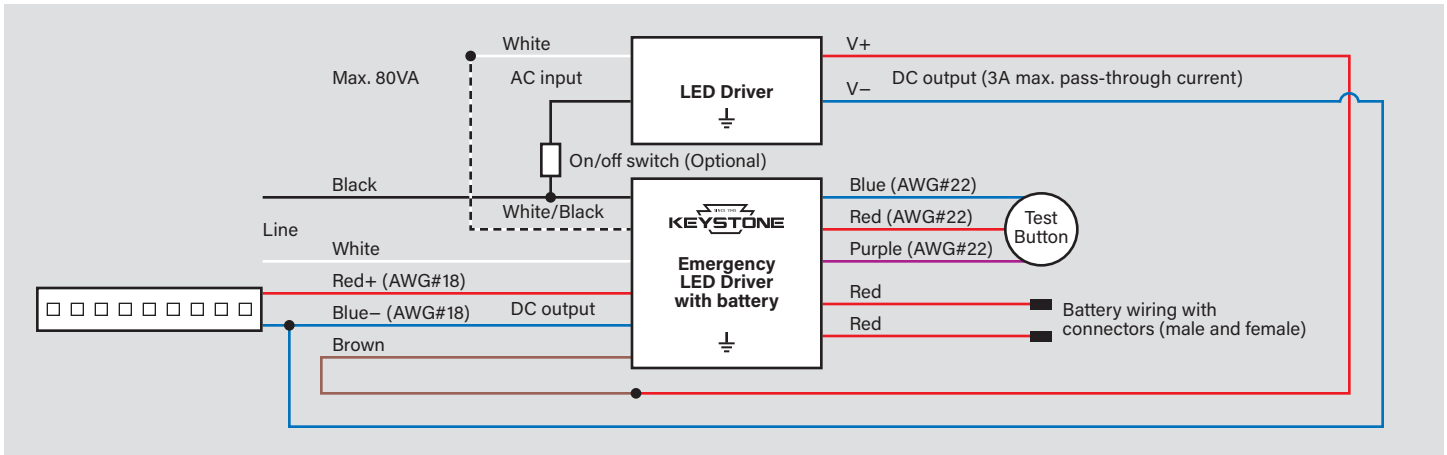
KT-EMRG-LED-12C-1200-EN /DF

CONSTANT WATTAGE LED EMERGENCY BACK-UP

PHYSICAL SPECIFICATIONS



WIRING SPECIFICATIONS





KT-EMRG-LED-12C-1200-EN /DF

CONSTANT WATTAGE LED EMERGENCY BACK-UP

ORDERING INFORMATION

| ORDER CODE | DESCRIPTION | PACKAGING STYLE | PACK QUANTITY | ITEM STATUS |
|--------------------------------|--|-----------------------|---------------|-------------|
| KT-EMRG-LED-12C-1200-EN /DF-IP | 1-Piece LED Emergency Back-up with Dual Flex Conduit | Individually Packaged | 1 | Active |

ALTERNATIVE OPTIONS

| ORDER CODE | DESCRIPTION | PACKAGING STYLE | PACK QUANTITY | ITEM STATUS |
|----------------------------------|---|-----------------------|---------------|-------------|
| KT-EMRG-LED-12C-1200-EN /RJSF-IP | 1-Piece LED Emergency Back-up with Rear Junction Leads and Single Flex Conduit (Flex B) | Individually Packaged | 1 | Active |
| KT-EMRG-LED-12C-1200-EN-IP | 1-Piece LED Emergency Back-up with Standard Wire Leads | Individually Packaged | 1 | Active |

CATALOG NUMBER BREAKDOWN

KT-EMRG-LED-12C-1200-EN /DF-IP

1 **2** **3** **4** **5** **6** **7** **8**

- 1** Keystone Technologies
- 2** Emergency Back-up Driver
- 3** LED Driver
- 4** Wattage Family (CEC Compliant)
- 5** Nominal Lumen Output
- 6** 1-Piece Enclosure
- 7** Dual Flex Conduit
- 8** Packaging Style