



PRODUCT FEATURES

- ANSI Designation: S51
- Line Voltage: 120/208/240/277/480
- Regulation: 10%
- Frequency: 60 Hz
- Recommended Fuse (A): 15/8/8/5/5
- Circuit Type: CWA
- Insulation Class: 180°C
- Capacitor Value: 55 MF
- Capacitor Voltage Rating: 300 V
- Capacitor Temperature Rating: 90°C
- Winding Materials: Cu/Cu
- Lamp Starter: XG-02
- Agency Certification: RU, cRU
- Maximum Distance to Lamp: 10 FT
- 2 Year Warranty

LAMP TYPE: 400W HPS

INPUT VOLTAGE: 5 Tap (120/208/240/277/480)

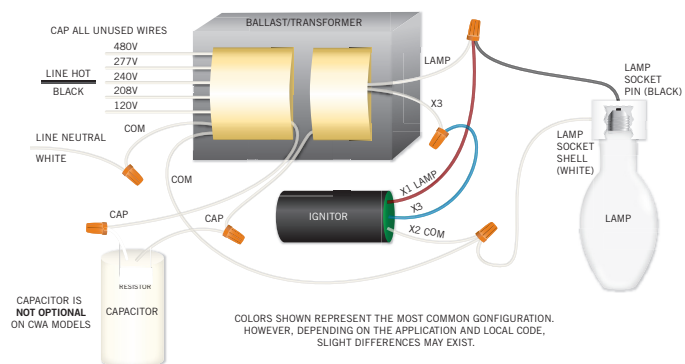
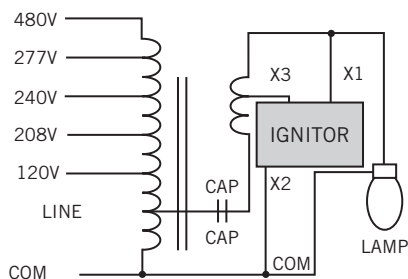
CIRCUIT TYPE: CWA

ELECTRICAL SPECIFICATIONS

LINE VOLT (V)	POWER FACTOR	LINE CURRENT			INPUT POWER (W)	OPEN CIRCUIT VOLTAGE (V)	MINIMUM START TEMP	UL TEMP CODE	WIRING DIAGRAM
		OPERATING	OPEN	START					
120	High	4.00	2.21	3.10	465	194	-40°C	D	H9
208	High	2.40	1.29	1.80	465	194	-40°C	D	H9
240	High	2.20	1.11	1.60	465	194	-40°C	D	H9
277	High	1.70	0.96	1.35	465	194	-40°C	D	H9
480	High	1.10	0.55	0.78	465	194	-40°C	D	H9

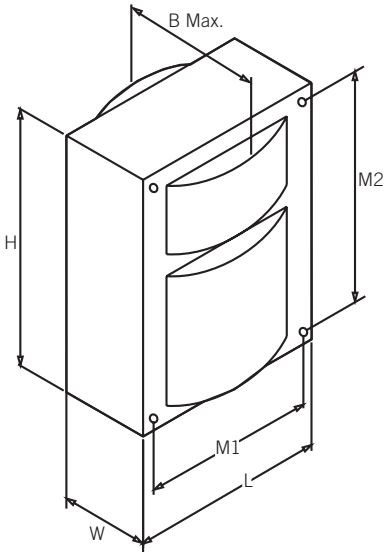
WIRING DIAGRAMS

DIAGRAM H9



COLORS SHOWN REPRESENT THE MOST COMMON CONFIGURATION. HOWEVER, DEPENDING ON THE APPLICATION AND LOCAL CODE, SLIGHT DIFFERENCES MAY EXIST.

CASE STYLE/DIMENSIONS



OVERALL DIMENSIONS

LENGTH: 4.30"
WIDTH: 2.34"
HEIGHT: 4.80"
B MAX: 4.25"

MOUNTING HOLES

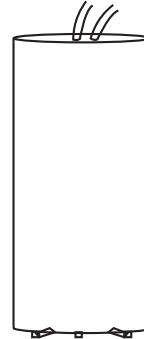
DIAMETER: 0.25"
M1: 3.87"
M2: 4.38"

BRACKET DIMENSIONS

LENGTH: 7.25"
WIDTH: 1.11"

LEAD LENGTH: 12-14"

BALLAST NET WEIGHT: 13.95 lbs



CAPACITOR INFO

WATTAGE: 400
MICROFARAD: 55
VOLTAGE: 300V
TYPE: Dry Film



IGNITOR INFO

LAMP TYPE: High Pressure Sodium
WATTAGE: 400
TYPE: CWA

ORDERING INFORMATION

ORDER CODE	PACKAGING STYLE	PACK QTY.	ITEM STATUS
HPS-400A-P-HP-KIT		1	Quick Ship
*Kit Includes: Pre-Wired Ballast, Capacitor, Ignitor, Mounting Brackets, Mounting Hardware			

CATALOG NUMBER BREAKDOWN

HPS-400A-P-HP-KIT

