



## PRODUCT FEATURES

- ANSI Designation: S51
- Line Voltage: 480
- Regulation: 10%
- Frequency: 60 Hz
- Recommended Fuse (A): 5
- Circuit Type: CWA
- Insulation Class: 180°C
- Capacitor Value: 55 MF
- Capacitor Voltage Rating: 300 V
- Capacitor Temperature Rating: 90°C
- Winding Materials: Cu/Cu
- Lamp Starter: XG-02
- Agency Certification: RU, cRU
- Maximum Distance to Lamp: 10 FT
- 2 Year Warranty

**LAMP TYPE:** 400W HPS

**INPUT VOLTAGE:** Single Tap (480)

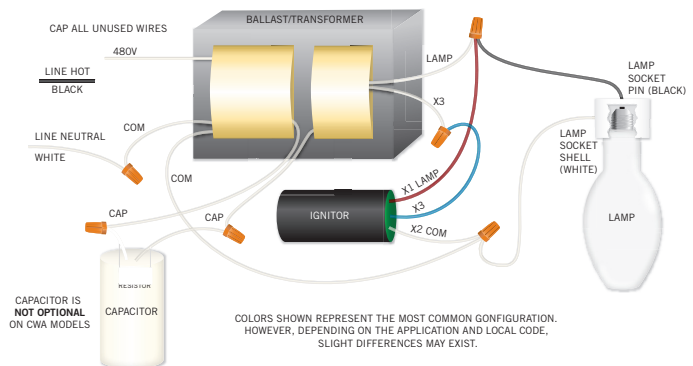
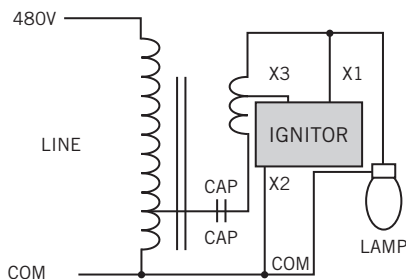
**CIRCUIT TYPE:** CWA

## ELECTRICAL SPECIFICATIONS

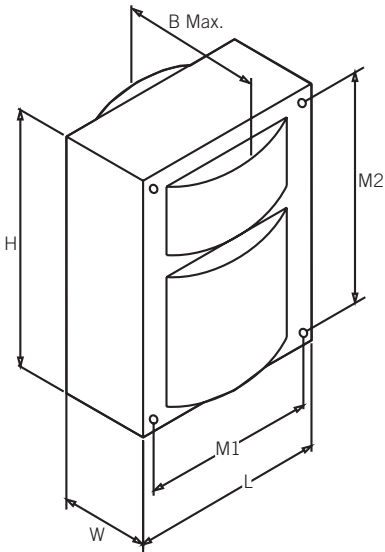
LINE VOLT (V)	POWER FACTOR	LINE CURRENT			INPUT POWER (W)	OPEN CIRCUIT VOLTAGE (V)	MINIMUM START TEMP	UL TEMP CODE	WIRING DIAGRAM
		OPERATING	OPEN	START					
480	High	0.94	0.61	0.72	465	190	-40°C	D	H9A

## WIRING DIAGRAMS

DIAGRAM H9A



## CASE STYLE/DIMENSIONS



### OVERALL DIMENSIONS

LENGTH: 4.25"
WIDTH: 2.30"
HEIGHT: 4.75"
B MAX: 4.53"

### MOUNTING HOLES

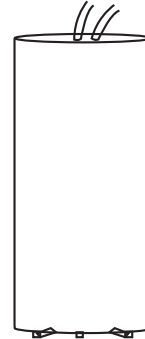
DIAMETER: 0.25"
M1: 3.87"
M2: 4.38"

### BRACKET DIMENSIONS

LENGTH: 7.25"
WIDTH: 1.11"

**LEAD LENGTH:** 12-14"

**BALLAST NET WEIGHT:** 13.82 lbs



### CAPACITOR INFO

WATTAGE: 400
MICROFARAD: 55
VOLTAGE: 300V
TYPE: Dry Film



### IGNITOR INFO

LAMP TYPE: High Pressure Sodium
WATTAGE: 400
TYPE: CWA

## ORDERING INFORMATION

ORDER CODE	PACKAGING STYLE	PACK QTY.	ITEM STATUS
HPS-400A-4-HP-KIT		1	Quick Ship
*Kit Includes: Pre-Wired Ballast, Capacitor, Mounting Brackets, Mounting Hardware			

## CATALOG NUMBER BREAKDOWN

# HPS-400A-4-HP-KIT

