

### ELECTRONIC HID BALLASTS

Case Material: Metal

Input	
Nominal Voltage	Dedicated 120V or 277V
Frequency	50/60Hz
Line Regulation	± 0.5% output variation over full input range
Power Factor	> 0.95
Total Harmonic Distortion	< 10%

Output	
Lamp Operating Frequency	165Hz Square Wave
Lamp Current C.F.	<1.3

Ordering Information	
Standard Case Quantity	50 Units
Unit Weight/Case Weight	0.51 lbs/28 lbs

### ELECTRICAL SPECIFICATIONS

Watts	Hatch Part Number	Description	Lamp Types/ ANSI Codes	Voltage Range	Nominal Input Power	Input Current/ Input Voltage	Max. Remote Distance (ft)
20	MC20-1-F-120X	20 Watt 120V Nano w/Feet	M156, SLi BriteSpot 20W	120V ±10% AC Nominal 108-132V 277V ±10% AC Nominal 220-277V	24 Watts	.20 Amps @ 120V .12 Amps @ 208V .10 Amps @ 240V .09 Amps @ 277V	25
	MC20-1-F-277X	20 Watt 277V Nano w/Feet					
	MC20-1-J-120X	20 Watt 120V Nano Bottom Feed w/Studs					
	MC20-1-J-277X	20 Watt 277V Nano Bottom Feed w/Studs					

#### PRODUCT FEATURES :

- Thermal protection
- Approved for recessed use
- Micro Processor Controlled
  - Safety Shut Down Features
  - Superior Hot Lamp Restrike Characteristic
- Low Voltage Lamp Shutdown
- Sound Rated: A
- Minimum Starting Temperature: -30°C
- Maximum Case Temperature: 80°C
- Complies with FCC Part 18 (Class B) Consumer limits
- Up to 5 Year Warranty
- Lamp end-of-life protected

- Transient Protection Meets ANSI/IEEE C62.41 Cat A
  - Short Circuit Protection
  - Open Circuit/No Lamp/ Hot Lamp Shutdown, Retry and Ignition Failure Protection:
- Ignition failure shutdown in 5 seconds followed by multiple timed restrikes with lamp ignition or timed shutdown until power is reset (restrike timing is lamp wattage dependent)

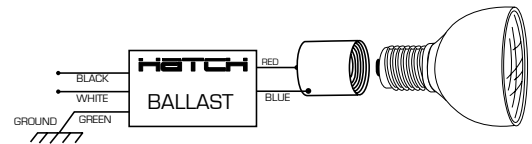
#### APPROVALS:



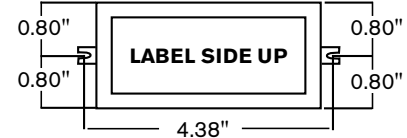
Type 1 Outdoor



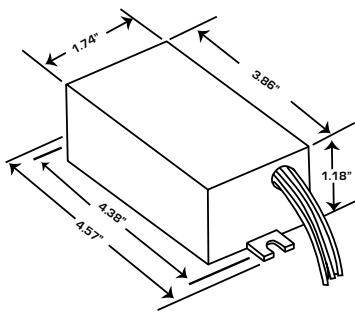
#### WIRING DIAGRAMS:



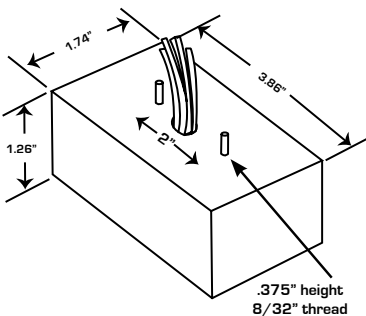
#### MOUNTING DIAGRAM:



#### CASE DIMENSIONS & MECHANICAL SPECIFICATIONS:



Center line to center line is .16" less than end to end on models with mounting feet.



CASE STYLE	MOUNTING
X - Nano	F - Side lead with feet

#### Wiring Information

Lead Length :	Input/Output : 8"
Wire Type :	Input: 18AWG, 105°C, 600V

#### Operating Temperatures

Minimum Starting Temperature :	-30°C
Maximum Case Temperature :	80°C

\* Available without feet, special order

CASE STYLE	MOUNTING
X - Nano	J - Bottom feed with studs

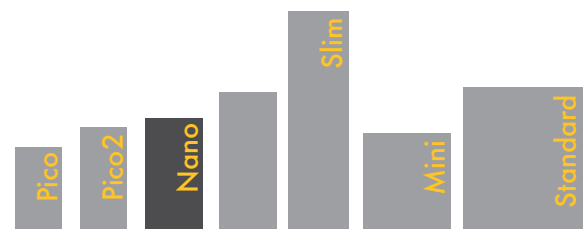
#### Wiring Information

Lead Length :	Input/Output : 10"
Wire Type :	Input: 18AWG, 105°C, 600V

#### Operating Temperatures

Minimum Starting Temperature :	-30°C
Maximum Case Temperature :	80°C

#### CASE STYLE SIZE CHART:



Each case style listed in the Size Chart represents a side lead model with no mounting feet. All HATCH E-HID Ballasts are available in several mounting and wiring configurations, each with slightly different dimensions from those listed in the chart.

