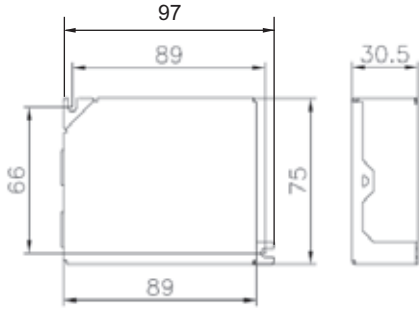


**Mechanical Data:**



|                 |               |
|-----------------|---------------|
| CASE MATERIAL   | ALUMINUM      |
| CASE LENGTH     | 89mm, 3.5"    |
| CASE WIDTH      | 75mm, 2.95"   |
| HEIGHT          | 30.5mm, 1.20" |
| OVERALL LENGTH  | 97mm, 3.82"   |
| MOUNTING LENGTH | 89mm, 3.5"    |
| WEIGHT          | 0.62 lbs      |

**Hot Spot:**

T<sub>case max</sub>: 85°C



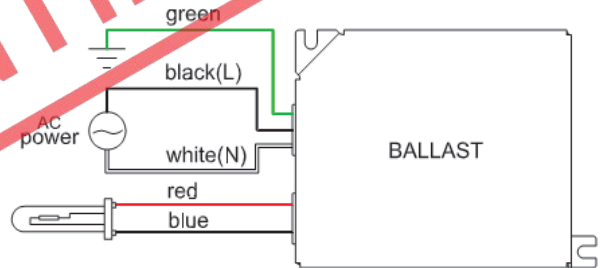
**Electrical Data:**

|                          |                                  |
|--------------------------|----------------------------------|
| LAMP                     | 1 LAMP, 39W MH                   |
| INPUT VOLTS              | 120                              |
| LINE CURRENT (AMPS)      | 0.37                             |
| INPUT POWER (WATTS)      | 44W                              |
| MIN POWER FACTOR         | >0.98                            |
| MIN STARTING TEMPERATURE | -30°C/-20°F                      |
| THD                      | <15%                             |
| ANSI CODE                | M130, C179, C130                 |
| CCF                      | <1.5                             |
| EMI/RFI                  | FCC PART18 CLASS A, NON-CONSUMER |
| FREQUENCY                | 140-220 Hz                       |
| TYPE                     | 1 OUTDOOR                        |

**Wiring Diagram:**

| WIRE LENGTH | BLACK | WHITE | RED | BLUE | GREEN |
|-------------|-------|-------|-----|------|-------|
|             | 9"    | 9"    | 9"  | 9"   | 9"    |

Bottom View, Side Leads



Ballast Case Must Be Grounded.

**Installation & Application:**

1. Maximum allowable case temperature is 85°C. See Hot Spot section for measurement location.
2. Ignition pulse is 4kV max.
3. Ballast output will shutdown after 25 minutes if lamp fails to ignite.
4. Power must be cycled off then on, after replacing lamp.
5. Do not install insulation above or within 3 inches of ballast sides
6. Can be remotely installed up to 12 feet from lamp.

**Performance:**

1. Short Circuit Operation Protection
2. Open Circuit Operation Protection
3. Ignitor Failure Protection
4. End of Lamp Life Protection