

SL 15 Watt LED Landscape Security/ Flood Light



The SL 15 Watt landscape security / flood light is an ideal solution for general site, landscape, sign and pathway lighting. With a die cast aluminum housing, and a polycarbonate lens with seamless silicone gasket to prevent leaks, the SL 15 Watt will stand up to many years of punishing environmental conditions. High-efficacy, long-life LEDs provide both energy and maintenance cost savings compared to traditional, incandescent landscape lights.

MOUNTING

- Threaded pipe (NPS 1/2"), which attaches to a junction box, is standard.
- Optional spike-mount (LEDSL-BS) for ground mounting.
- Optional canopy-mount (LED-CNY-KIT) for attachment to flat surfaces

WARRANTY/LISTING

- cULus listed for wet locations (-20°C to 40°C / -4°F to 104°F).
- IP65 rated.
- DLC approved.
- Complies with EN61000-4-5, surge immunity test (1kV).
- 5-year warranty on all electronics and housing.

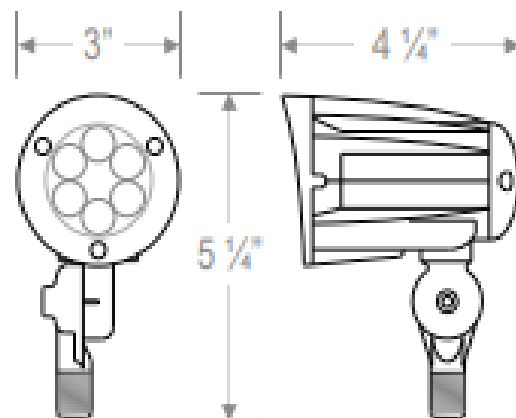
FEATURES

- Available in 3000k & 5000k (cool white) color temperatures.*
- Long-life LEDs provide 69,000 hours of operation with at least 70% of initial lumen output (L70).**
- Delivers 1,536 lumens (102 lumens per watt, LPW) at 3000K, and 1,700 lumens (113 LPW) at 5000K.*
- Narrow beam spread is standard. Medium beam spread is available by special order (contact factory for details).
- Universal 100-277 AC voltage (50-60Hz) is standard.
- Power factor > 0.90.
- Total harmonic distortion < 20%.
- Color rendering index > 80.
- Die cast aluminum housing with durable, dark bronze, powder coat paint.
- Polycarbonate lens.
- Several mounting options provide easy installation in new construction or retrofit. Yoke-mounted models available by special order (contact factory for details).

*Contact factory for other color temperatures and lumen packages.

**L₇₀ hours are IES TM-21-11 calculated hours.

DIMENSIONS



SL 15 Watt LED Landscape Security/Flood Light

SL 15 WATT ORDERING INFORMATION

Model	Color Temperature	Mounting Options (Order Separately)
SL15W	3K = 3000K 5K = 5000K	Spike-Mount = SL-BS Circular Mounting Base = SL-CMB

Order Example:

SL15W-3K

SPECIFICATIONS

Model	Color Temp	CRI ¹	Luminaire Lumens	Watts	Lumens Per Watt	Beam Spread	Input Voltage ²	Input Current (A)			Power Factor	THD ³	L ₇₀ Hours ⁴
								120V	240V	277V			
SL15	3000K	> 80	1536	15	102	30	120-277	0.13	0.06	0.05	> 90%	< 20%	69000
	5000K	> 80	1700	15	113	30	120-277	0.13	0.06	0.05	> 90%	< 20%	69000

¹ Color rendering index.

² All 50-60Hz.

³ Total harmonic distortion.

⁴ L₇₀ refers to the number of hours at which lumen output declines to 70% of the initial level. L₇₀ hours are IES TM-21-11 calculated hours.

