

# MWP08 Wall Pack

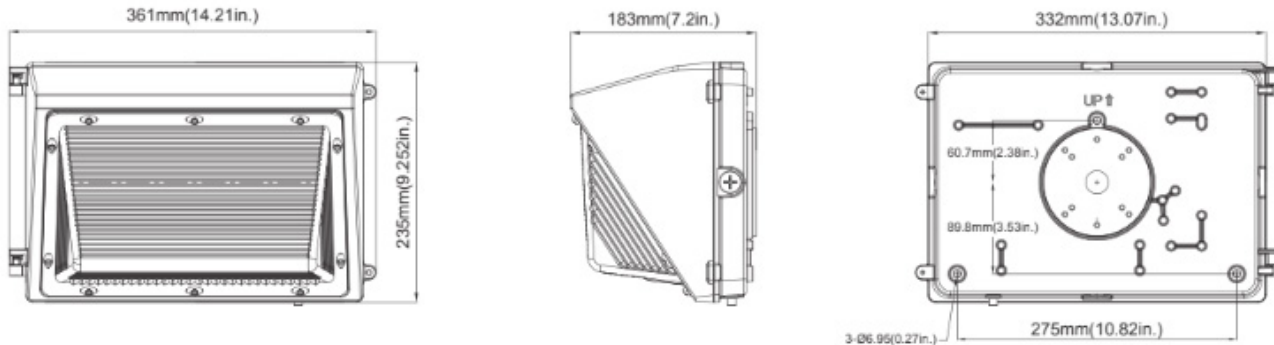


The MWP08 Wall Pack is a premium LED luminaire designed to illuminate perimeter areas, pathways, building entryways and walkways. It also provides superior security lighting.

## FEATURES

- Sealed die-casting profile for indoor and outdoor applications.
- Suitable for J-BOX mounting and surface mounting.
- Voltage is 120-277V.
- Lumen output from 3550-10500lm with efficacy up to 120lm/W
- Polycarbonate optical lens with UV stabilizers.
- Photocell optional that can be field installed or pre-installed in factory by requesting.
- Replacing 100W MH and 250W MH.
- Operating temperature is -40°C to 40°C (-40°F to 104°F).
- UL/cUL wet location listed and DLC qualified.

## DIMENSIONS



Fixture	Power Consumption	Input Voltage	CCT	Finish	Photocell (Optional)
MWP08	30W 40W 65W 90W	120-277V	4K= 4000K 5K= 5000K	D= Dark Bronze B = Black W= White	P0= 120-277V Photocell P1= 120V Photocell Blank= Without Photocell

ORDERING EXAMPLE: MWP0830W4KDP0

PERFORMANCE DATA		4000K (70CRI)		5000K (70CRI)	
SYSTEM WATTS	VOLTAGE	LUMENS	LPW	LUMENS	LPW
30W	120-277VAC	3550lm	118 lm/W	3600lm	120 lm/W
40W	120-277VAC	4600lm	115 lm/W	4650lm	116 lm/W
65W	120-277VAC	7200lm	111 lm/W	7300lm	112 lm/W
90W	120-277VAC	10,000m	111 lm/W	10,500m	117 lm/W