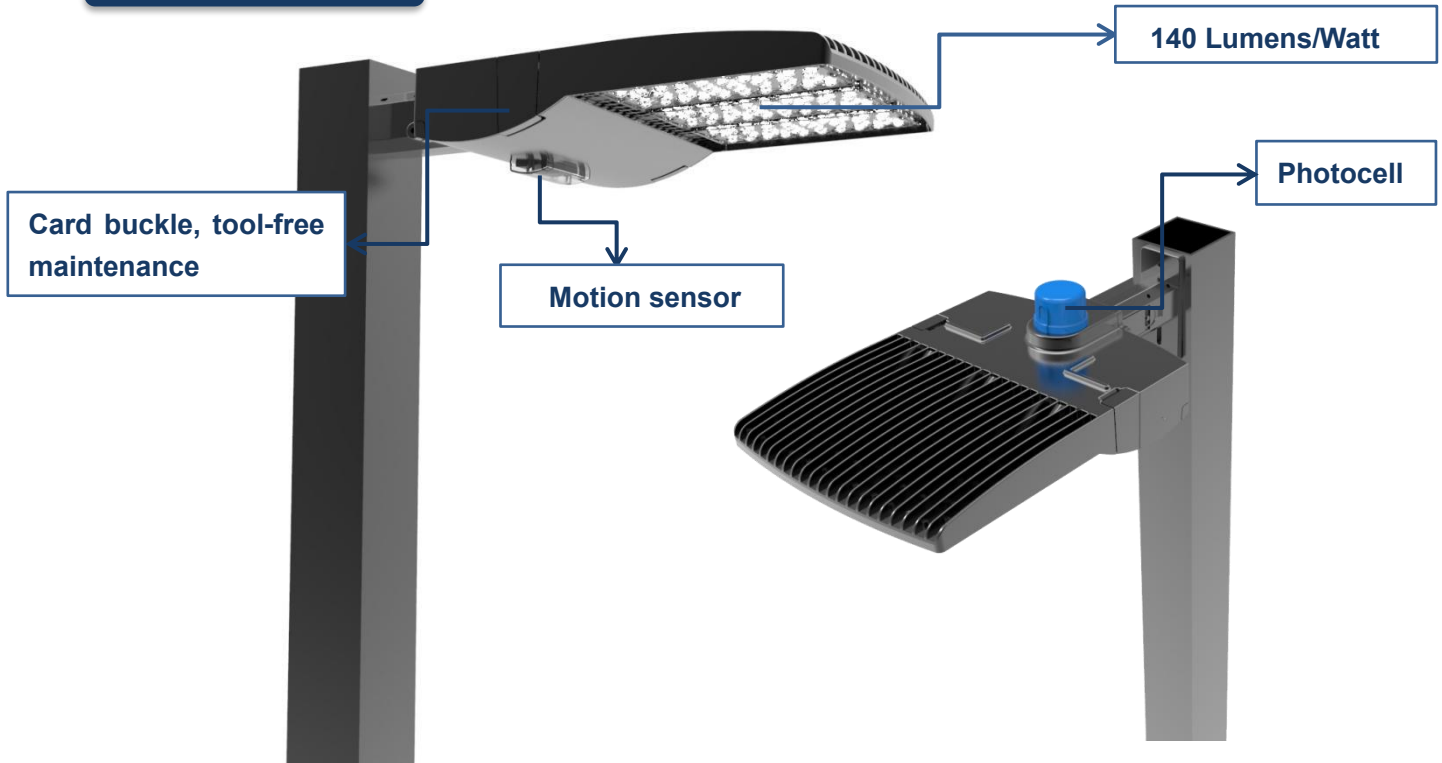


LUNA 150 AREA LIGHT

TECHNICAL DATA SHEET

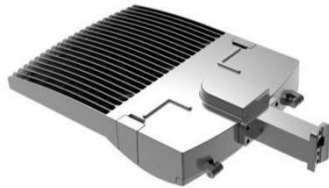
Features



Mounting Options



Arm(Square Pole)-M



Arm(Round Pole)-M



Arm(Square Pole)-L



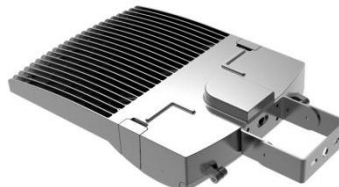
Arm(Round Pole)-L



Arm one-key Not operate



Arm one-key operate



Trunnion



Slip Fitter

Note: M-Medium, L-Large

LUNA 150 AREA LIGHT

TECHNICAL DATA SHEET



SPECIFICATIONS

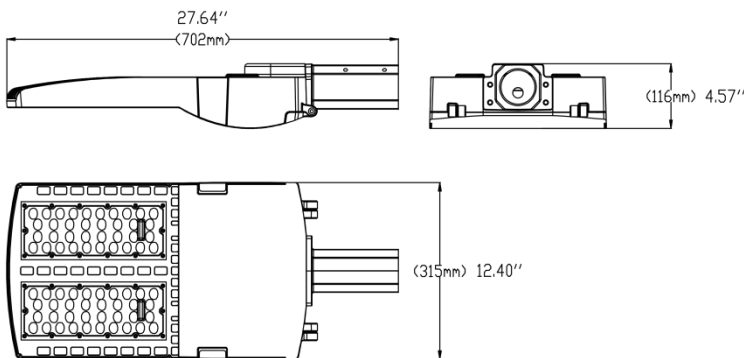


- High lumen efficacy - 140lm/w
- One-person installation available
- 8 installation brackets for option
- Nema 3-pin, 5-pin and 7-pin receptacle for option
- Photocell & Motion sensor for option(dimmable)
- LED module complies with IP67, Anti-corrosion enhanced
- Anti-debris and wildlife protection cover for option
- Tool-free entry for quick installation
- Built-in 10KV Surge protector, 20KV as option
- Dark-sky compliant

LUNA 150 AREA LIGHT	
Model	LUNA-150A-XXK-N-U-Z-D LUNA-150B-XXK-N-U-Z-D
Power Consumption	150W
Input Voltage	120-277VAC / 277-480VAC
Power Factor	>0.90
Lumen Efficacy	140lm/W
Lumen	21,000lm
LED Brand	Lumileds 3030
CCT	3000K/4000K/5000K
CRI	75
Optics	Type3/Type5
Finish	Dark Bronze/White/Grey
Dimmable	Dim
Lifespan	50,000hrs
Operating Temperature	-40~50°C
Driver Brand	Inventronics



DIMENSION



DISTRIBUTION CURVE

