

ELLP LED Low Profile, Thermoplastic Emergency Unit



ILLUMINATION

- Adjustable long lasting, efficient, ultra bright white LED lamp heads.
- One, 0.5W white LED per lamp head.
- Unique all inclusive lamp, reflector and lens assembly.

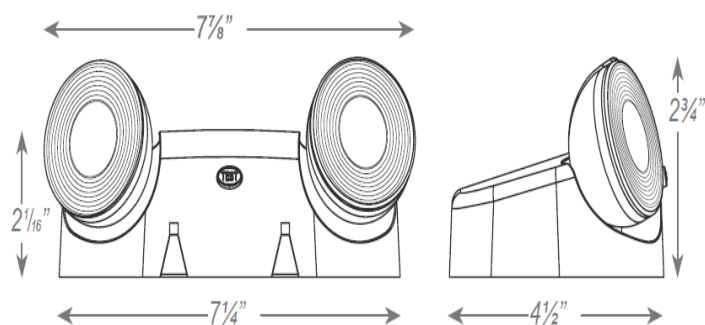
HOUSING

- Injection-molded, engineering grade, 5VA flame retardant, high-impact resistant, thermoplastic in white or black finish.

MOUNTING

- Surface mount back plate fits most standard size junction boxes and snaps into place.
- Suitable for wall or ceiling mount.

DIMENSIONS



ELECTRICAL

- Dual 120/277 voltage standard. Optional dual 120/230 voltage available.
- Unique bi-color LED indicator light alerts occupant on battery condition (Green-normal, Red-check battery).
- 3.6V long life, maintenance-free, rechargeable Ni-Cd battery.
- Internal solid-state transfer switch automatically connects the internal battery to LED lamp heads for minimum 90-minute emergency illumination.
- Fully automatic solid-state, two rate charger initiates battery charging to recharge a discharged battery in 24 hours.

OPTIONS

- SPV: UL Listed for special voltage option.

WARRANTY/LISTING

- One year warranty on all electronics and housing.
- UL Listed for damp locations (0°C – 40°C).
- Meets UL924, NFPA 101 Life Safety Code, NEC, OSHA, Local and State Codes.

ELLP Ordering Information

Model	Housing	Options
ELLP	W- Blank B- Black	RC - Remote Capacity SPV- 120/230 Volt 50/60Hz

Order Example:

ELLPBRC