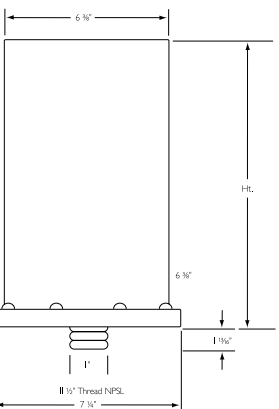
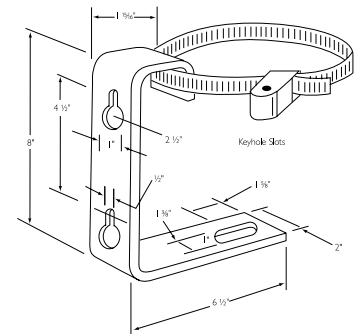


MAGNETIC HID BALLASTS

60 Hz Outdoor Weatherproof Ballasts

Metal Halide

Input Volts	Catalog Number	Circuit Type	Input Watts	Max Input Current	Nom Open Circuit Voltage	Fuse (amps)	Wiring Dia.	Height (in)	Weight (lbs)	Certification		
										UL	SF	RoHS
175/150W Lamp, ANSI Code M57/M107 or 145W Lamp, ANSI Code C192**												
120/208/240/277	79W5590-001	CWA	210	1.8/1.1/ .9/.8	305	5/3/ 3/2	OW-2	6.6	15	✓	✓	✓
250W Lamp, ANSI Code M58 or 205W Lamp, ANSI Code C184***												
120/208/240/277	79W5790-001	CWA	285	2.5/1.5/ 1.3/1.1	310	8/5/ 5/3	OW-2	8.6	18	✓	✓	✓
400W Lamp, ANSI Code M59 or 330W Lamp, ANSI Code C185****												
120/208/240/277	79W6091-001	CWA	458	4.0/2.3/ 2.0/1.8	300	10/7/ 5/5	OW-2	8.6	21	✓	✓	✓
480	79W6041-001		462	1.0		4				OW-1	✓	✓
Two 400W Lamps, ANSI Code M59 or two 330W Lamp, ANSI Code C185****												
120/240	79W6351-001	CWA (ILO)	890	8.4/4.2	330	25/15	OW-3	13.8	43	✓	✓	✓
480	79W6341-001			2.1		7				✓	✓	✓
1000W Lamp, ANSI Code M47												
120/208/240/277	79W6592-001	CWA	1080	9.0/5.2/ 4.5/3.9	430	20/15/ 10/10	OW-2	11.3	33	✓	✓	✓
480	79W6542-001			2.3		6				OW-1	✓	✓



All weatherproof high pressure sodium lamp ballasts are furnished with an Philips Advance long range ignitor built into the ballast enclosure. Maximum lamp-to-ballast distance is 50 ft. (except 1000W ballasts which are 75 ft.)

- For CWA circuits, figure is operating current. For HX circuits, figure is highest of starting, operating or open circuit current.
- ★ Equipped with an auto-reset thermal protector to prevent ignitor from overheating in the event of lamp failure.

** The 145 Watt Lamp, ANSI Code C192, is an energy saving, screw in replacement lamp for the M57 or M152 lamps, that may reduce input watts up to 15% on existing 175W ballasts.

*** The 205 Watt Lamp, ANSI Code C184 is an energy saving, screw in replacement lamp for the M58 or M138 and M153 PS lamps that may reduce input watts up to 18% on existing ballasts.

**** The 330 Watt Lamp, ANSI Code C185 is an energy saving, screw in replacement lamp for the M59 or M135 and M155 PS lamps that may reduce input watts up to 18% on existing ballasts.

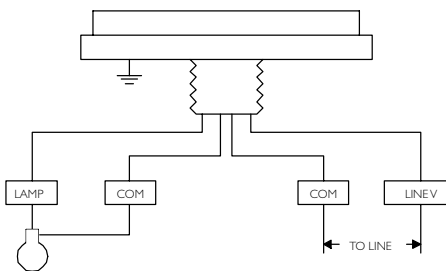


Fig OW-1

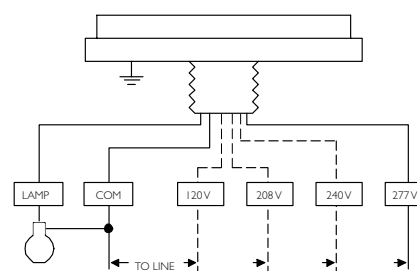


Fig OW-2

INSULATE UNUSED ALTERNATE LAMP LEADS INDIVIDUALLY FOR 600V

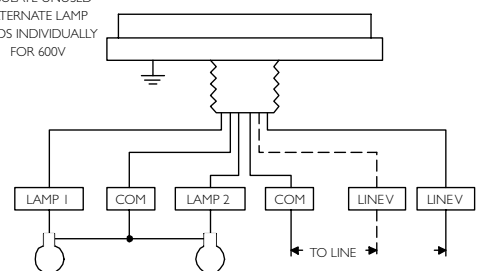


Fig OW-3