



## e-Vision Low Wattage 20-150W

E-VISION ELE MH BAL 39W M130 / C179 120V

Low frequency electronic HID ballasts such as the Philips Advance e-Vision line constantly measure and adjust the wattage, optimizing delivery of the ceramic lamps' superior color properties. This makes ceramic metal halide operated by e-Vision ballasts the premier choice for many applications previously illuminated by either tungsten halogen or incandescent sources, such as retail lighting.

### Product data

#### • General Information

ANSI Code	C130/M130, C179
Lamp Type	39W MH
Number of Lamps	1 piece/unit
Ballast Type	Electronic HID
Base Model	RMH39KLF
Suitable For Outdoor Use	Yes

#### • Operating and Electrical

Input Voltage	120 V
Input Frequency	50 to 60 Hz
Max THD	15 %
Lamp Current Crest Factor (Nom)	1.8
Ignition Time (Nom)	1200 s
Ballast Factor (Nom)	1
Power Factor (Nom)	0.90
Input Current (Operating) (Max)	0.4 A
Input Current (Operating) (Min)	0.4 A
Input Power (Nom)	45 W
Rated Lamp Watts	39 W

#### • Wiring

Color Input Terminals	No terminals
Color Output Terminals	No terminals
Wire Striplength	0.50 mm
Control Wire Gauge	NA
Wire Length By Color	All leads = 6"
Wire Gauge (Nom)	18AWG mm

Wire Type	Stranded
Remote Wiring Configuration Allowed	Yes
Tandem Wiring Configuration Allowed	No
Through Wiring Configuration Allowed	No
Connector Type	No connector

#### • Temperature

T-Case Maximum (Nom)	90 °C
----------------------	-------

#### • Mechanical and Housing

Housing Material	Metal
Housing	K
Housing Dimensions	4.1" x 1.3" x 1.2"

#### • Approval and Application

EMC Immunity Standard	FCC Non-Consumer
Approbation Marks	CSA certificate UL certificate RoHS Compliant
Sound Rating UL Recognized	A No

#### • Product Data

Order product name	E-VISION RMH39KLFM
EAN/UPC - Product	781087051245

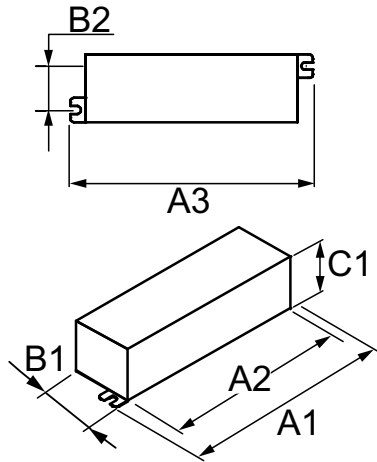
# PHILIPS

## e-Vision Low Wattage 20-150W

Order code RMH39KLFM  
 Numerator - Quantity Per Pack 1  
 Numerator - Packs per outer box 12

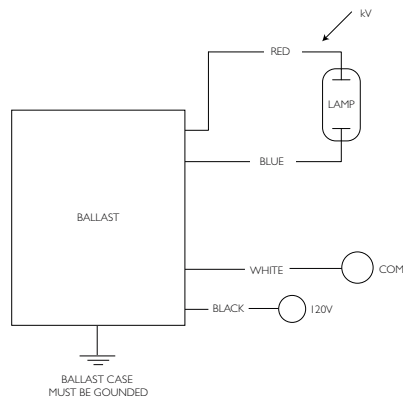
Material Nr. (12NC) 913700612088  
 Net Weight (Piece) 178.000 g

### Dimensional drawing



### ELE MH BAL 39W M130 120V

Product	A1	A2	A3	B1	B2	C1
E-VISION RMH39KLFM	4.4 in	4.1 in	4.5 in	1.1 in	0.5 in	1.2 in



© 2016 Philips Lighting Holding B.V.  
 All rights reserved.

Specifications are subject to change without notice. Trademarks are the property of Koninklijke Philips N.V. (Royal Philips) or their respective owners.

[www.philips.com/lighting](http://www.philips.com/lighting)

2016, May 9  
 data subject to change