

Mark 10 Powerline

MARK 10 POWERLINE ELE DIM BALLAST (2) 42W CFL (4-PIN) 120V

For companies looking to make their fixed-output linear T8, 4-pin CFL, and T5/HO fluorescent systems more cost effective and sustainable, Mark 10 Powerline ballasts provide an easy solution without the need for additional control leads. Simply, (1) replace the ballast, (2) replace the switch, (3) dim the lights, that is all it takes. It's that easy to bring the convenience and flexibility of fluorescent dimming to conference rooms, private offices, auditoriums, architectural cove lighting – anywhere dimming is required.

Product data

• General Characteristics

| | |
|---------------------------|----------------------|
| Lamp Type | CFTR42W/GX24Q |
| Number of Lamps | 2 piece |
| Input Voltage | 120 V |
| Input Current (Operating) | 0.82 A |
| Line Frequency | 60 Hz |
| Ballast Type | Dimmable Fluorescent |
| Base Model | REZ2T42M3LD |
| Housing | M3 |
| Housing Dimensions | 6.28" x 3.0" x 1.29" |
| Housing Material | Metal |
| Suitable for Outdoor use? | Yes |
| Starting Method | Programmed Start |
| Family Name | Mark 10 Powerline |

• Operating Characteristics

| | |
|---------------------------|--------------|
| Automatic restart | Yes |
| Ignition time | 1.5 s |
| Min. Input Watts | 20 (min) W |
| Max. Input Watts | 98 (max) W |
| Min. Ballast Factor | 0.05 (min) - |
| Max. Ballast Factor | 1 (max) - |
| Ballast Efficacy Factor | 1.02 - |
| Power Factor | 0.98 |
| Lamp Current Crest Factor | 1.6 - |
| Sound Rating | A |
| Max THD | 10 % |

• Wiring Characteristics

| | |
|------------------------|----------------|
| Color input terminals | BLK & WHT |
| Color output terminals | RED, YEL & BLU |

| | |
|---------------------------------|------------|
| Connector type | Poke-In |
| Wire Striplength | 0.375 mm |
| Control Wire Gauge | NA |
| Lamp Connection | Series |
| Wire Gauge | 18AWG |
| Wire Length by Color | No wires |
| Wire Type | Solid |
| Allowed Wiring Config(Remote) | No |
| Allowed Wiring Config(Tandem) | No |
| Allowed Wiring Config(Through) | No |
| Max Dist. Ball to Lamp(Remote) | No Remote |
| Max Dist. Ball to Lamp(Tandem) | No Tandem |
| Max Dist. Ball to Lamp(Through) | No Through |

• System Chars on driver level

| | |
|------------------|-----|
| Rated Lamp Watts | 42W |
|------------------|-----|

• Temperature Characteristics

| | |
|----------------|------|
| T-case maximum | 70 C |
|----------------|------|

• Product Dimensions

| | |
|-----------|---------|
| Length A1 | 6.0 in |
| Length A2 | 5.5 in |
| Width B1 | 3.00 in |
| Height C1 | 1.29 in |

PHILIPS

Mark 10 Powerline

• Approval & Application Chars

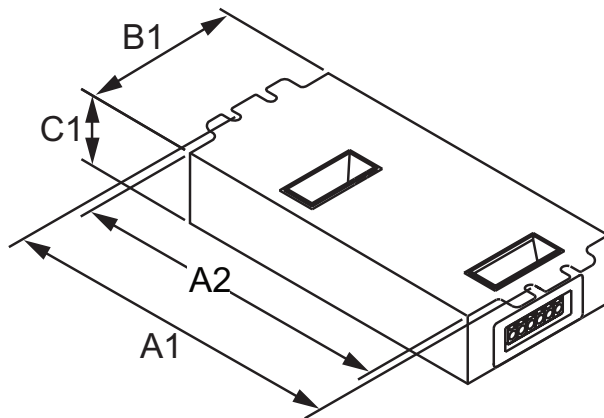
| | |
|-------------------|---------------|
| EMC Immunity | FCC Consumer |
| Approbation Marks | UL, CSA, RoHS |
| UL Listed | Yes |
| CSA certificate | Yes |
| CEC Listing | Yes |
| CEE Rated | No |
| Circle E logo | No |
| CSA E | No |
| cUL certificate | No |
| Energy Star | No |
| FIDE Certificate | No |
| NEMA Premium | No |
| NOM certificate | No |
| RoHS Compliant | Yes |
| SASO Certificate | No |

UL Recognized No

• Product Data

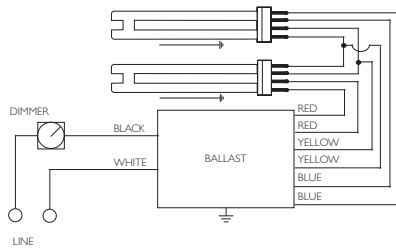
| | |
|--------------------|--|
| Product number | REZ2T42M3LD35M |
| Full product name | ELE DIM BALLAST (2) 42W CFL (4-PIN) 120V |
| Short product name | ELE DIM BALLAST (2) 42W CFL (4-PIN) 120V |
| Pieces per Sku | 1 |
| Skus/Case | 20 |
| Bar code on pack | 781087114612 |
| Bar code on case | 50781087114624 |
| Logistics code(s) | 913700501511 |
| eop_net_weight_pp | 0.441 kg |

Dimensional drawing



MARK 10 POWERLINE ELE DIM BALLAST (2) 42W CFL (4-PIN) 120V

| Product | A1 (Norm) | A2 (Norm) | A3 (Norm) | B1 (Norm) | C1 (Norm) |
|--|-----------|-----------|-----------|-----------|-----------|
| ELE DIM BALLAST (2) 42W CFL (4-PIN) 120V | 6.0 | 5.5 | - | 3.00 | 1.29 |



© 2015 Koninklijke Philips N.V. (Royal Philips)
All rights reserved.

Specifications are subject to change without notice. Trademarks are the property of Koninklijke Philips N.V. (Royal Philips) or their respective owners.

www.philips.com/lighting

2015, August 29
data subject to change