



# Optanium T8 Programmed Start

OPTANIUM IOP1PSP32LWN35M

Philips Advance Optanium high-efficiency electronic ballasts are engineered to optimize lighting performance and maximize energy savings. These ballasts provide an unparalleled package of features and benefits to support the wide variety of T8 fluorescent lamps out in the market place. Philips Advance Optanium high-efficiency electronic ballasts are engineered to optimize lighting performance and maximize energy savings. These ballasts provide an unparalleled package of features and benefits to support the wide variety of T8 fluorescent lamps out in the market place.

## Product data

### • General Information

Lamp Type	F32T8
Number Of Lamps	1 piece/unit
Ballast Type	Electronic Fluorescent
Base Model	IOP1PSP32LWN
Suitable For Outdoor Use	Yes
Automatic Restart	Yes

### • Operating and Electrical

Input Voltage	120 to 277 V
Input Frequency	50 to 60 Hz
Total Harmonic Distortion USA	10 %
Ignition Method	Programmed Start
Crestfactor (Nom)	1.6
Ignition Time (Nom)	1.5 s
Ballast Factor (Nom)	0.71
Power Factor (Nom)	0.98
Input Current (Max)	0.09 A
Input Current (Min)	0.19 A
Input Power (Nom)	23 W
Rated Lamp Power	32W W

### • Wiring

Color Input Terminals	No terminals
Color Output Terminals	No terminals
Wire Striplength	0.50/0.375 mm
Lamp Connection	Parallel
Wire Length By Color	See data sheet
Wire Gauge (Nom)	18AWG mm

Wire Type	Solid
Remote Wiring Configuration Allowed	Yes
Tandem Wiring Configuration Allowed	No
Through Wiring Configuration Allowed	No
Max Ballast-Lamp Distance Remote Wiring	ES = 6' / Standard = 20'
Max Ballast-Lamp Distance Tandem Wiring	NA
Max Ballast-Lamp Distance Through Wiring	NA
Connector Type	No connector

### • Temperature

T-Case Maximum (Nom)	70 °C
----------------------	-------

### • Mechanical and Housing

Housing Material	Metal
Housing	N
Housing Dimensions	9.5" x 1.3" x 1.0"

### • Approval and Application

EMC Immunity Standard	FCC Non-Consumer
Approval Marks	CSA certificate

**PHILIPS**

# Optanium T8 Programmed Start

UL certificate  
 CEC Listing  
 CEE Rated  
 NEMA Premium  
 RoHS Compliant  
 Hum And Noise Level  
 UL Recognized

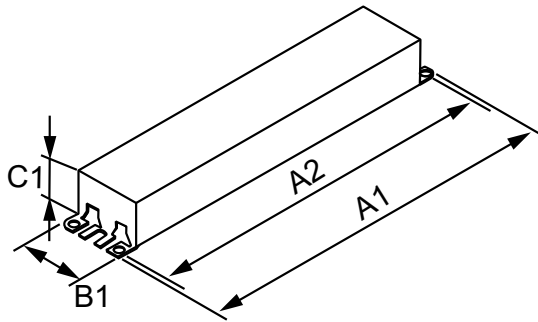
A  
 A  
 No

EAN/UPC - Product 781087134719  
 Order code 913701260502  
 Numerator - Quantity Per Pack 1  
 Numerator - Packs per outer box 30  
 Material Nr. (12NC) 913701260502  
 Net Weight (Piece) 350.000 g

• Product Data

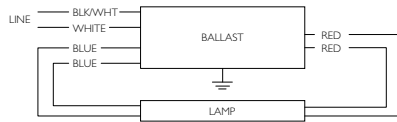
Order product name OPTANIUM IOP1PSP32LWN35M

## Dimensional drawing



## ELE BALLAST (1) F32T8 120-277V

Product	A1	A2	B1	C1
OPTANIUM IOP1PSP32LWN35M	9.50 in	8.90 in	1.30 in	1.00 in



© 2016 Philips Lighting Holding B.V.  
 All rights reserved.

Specifications are subject to change without notice. Trademarks are the property of Koninklijke Philips N.V. (Royal Philips) or their respective owners.

[www.philips.com/lighting](http://www.philips.com/lighting)

2016, February 1  
 data subject to change