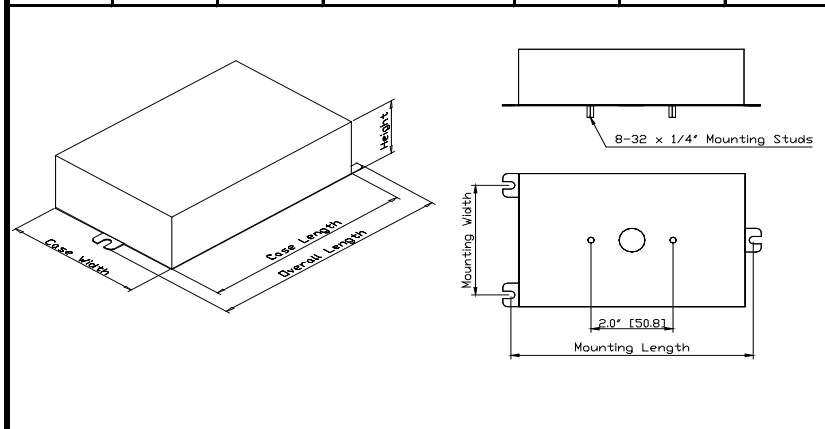


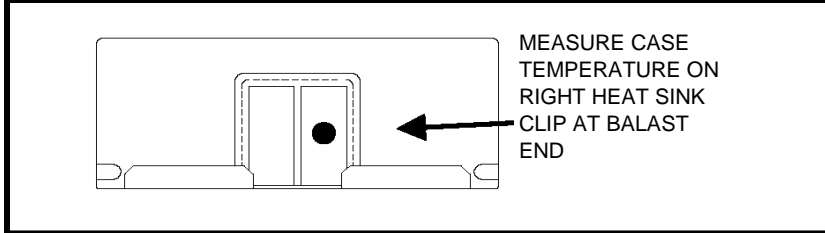
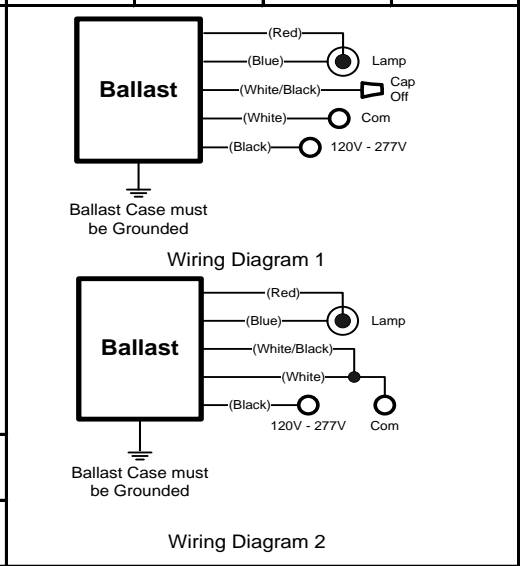
	<b>e-Vision® Electronic Ballast for Metal Halide Lamps</b>	Catalog Number: IMH-175-C For 150W or 175W Metal Halide Lamps ANSI C or M102,C or M142,M137,M152 120-277V 50/60Hz Electronic Status: RELEASED
---	--	---

**DIMENSIONS AND DATA**

Lamp		Input Volts	Catalog Number*	Line Current (Amps)	Input Power (Watts)	Min Power Factor	Wiring Diag	Fig.	Weight (lb)	Max. Distance to Lamp (ft)
Number	Watts									
150 Watt Lamp, MH ANSI Code C102/M102, C142/M142 Minimum Starting Temp -20°C/-4°F										
1	150	120	IMH-175-C-XXX	1.4	169	1	1	C	2.5	5
		277		0.6	166					
175 Watt Lamp, ANSI Code M137 or M152 Minimum Starting Temp -20°C/-4°F										
1	175	120	IMH-175-C-XXX	1.7	194	1	2	C	2.5	5
		277		0.7	191					



Case Figure	Overall Length	Case Length	Case Width	Height	Mounting Length	Mounting Width
C	204mm [8.0"]	184mm [7.2"]	92mm [3.6"]	38mm [1.5"]	195mm [7.7"]	73mm [2.9"]





EISA Compliant

- INSTALLATION & APPLICATION NOTES:**
- Maximum allowable case temperature is 85°C. See figure above for measurement location
  - Ignition pulse is 4 kV max
  - All leads are 12 inches long
  - Ballast output will shutdown after 20 minutes if lamp fails to ignite
  - Power must be cycled off – then on, after replacing lamp

*Ordering Information	
Order Suffix	Description
-LF	Ballast with side exit leads and mounting feet
-BLS	Ballast with bottom exit leads and mounting studs

Data is based on tests performed by Philips Advance in a controlled environment and is representative of relative performance. Actual performance can vary depending on operating conditions. Specifications are subject to change without notice. All specifications are nominal unless otherwise noted.