

# Val-U-Pak Plus (77L)

## CORE & COIL HID 77L5570001D

Our VAL-U-PAK Plus magnetic HID replacement kits assemble the required components — including lamp, core and coil, the appropriate capacitor, ignitor (where required), mounting bracket and hardware, and instructions — in one convenient package. This saves valuable time for MRO and contractor applications.

### Product data

#### • General Information

ANSI Code	M57-M107
Lamp Type	175-150WMH
Number Of Lamps	1 piece/unit
Circuit Type	CWA
Ballast Type	Magnetic HID
Base Model	71A5570
Core Size	3 X 4 (2 LW)
Suitable For Outdoor Use	Yes
Ignitor Catalog Number	NA
Ignitor Temperature Rating	NA
Capacitor Value	10 MFD
Capacitor Catalog Number	7C100M40R
Capacitor Requirements	400V
Capacitor Temperature Rating	105°C
Capacitor Diameter/Oval Dimensions	1.45 in
Capacitor Height	3.75 in
Automatic Restart	No

#### • Operating and Electrical

Input Voltage	120/208/240/277 V
Input Frequency	60 Hz
Input Current (Open Circuit)	1.78/1.08/0.93/0.81 A
Input Current (Starting)	1.26/0.7/0.61/0.53 A
Input Current (Short Circuit)	1.06-1.59/0.6-0.9/0.52-0.78/0.45-0.67 A

Secondary Short Circuit Current	1.5-1.9 A
Constant Wattage Deviation	10%
Ballast Factor (Nom)	1
Power Factor (Nom)	0.90
Open Circuit Voltage	305 V
Input Current (Nom)	1.8/1.04/0.9/0.8 A A
Input Power (Nom)	210 W
Rated Lamp Power	175/150W W

#### • Wiring

Wire Striplength	0.5 mm
Wire Length By Color	12"
Wire Type	Stranded
Remote Wiring Configuration Allowed	Yes
Max Ballast-Lamp Distance Remote Wiring	Determined by AWG used
Recommended Fuse Value	5/3/3/2 A

#### • Approval and Application

Open Circuit Voltage Test (Volts)	275-335 V
Approval Marks	ULR CSA certificate RoHS Compliant C/D/D/D
Temperature Marking	
UL Recognized	Yes

**PHILIPS**

# Val-U-Pak Plus (77L)

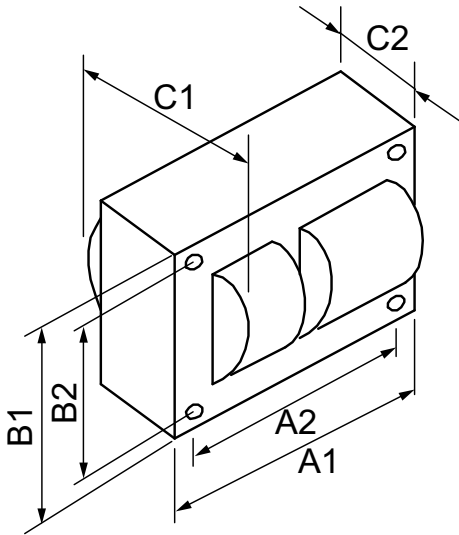
Hipot Test (1 Minute) 2000 V  
 Hipot Test (2 Seconds) 2500 V  
 UL Insulation Class H(180°C)  
 UL Temperature Code 1029D

EAN/UPC - Product 781087113813  
 Order code 913710416101  
 Numerator - Quantity Per Pack 1  
 Numerator - Packs per outer box 1  
 Material Nr. (12NC) 913710416101  
 Net Weight (Piece) 4.323 kg

• **Product Data**

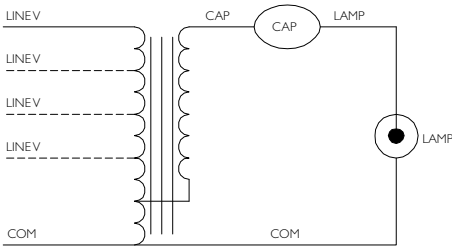
Order product name CORE & COIL HID 77L5570001D

Dimensional drawing



MH BAL 175W M57 QUAD KIT WITH LAMP

Product	C1	C2	A1	A2	B1	B2
CORE & COIL HID 77L5570001D	3.95 in	2.42 in	3.9 in	3.5 in	2.8 in	2.4 in



© 2016 Philips Lighting Holding B.V.  
 All rights reserved.

Specifications are subject to change without notice. Trademarks are the property of Koninklijke Philips N.V. (Royal Philips) or their respective owners.

[www.philips.com/lighting](http://www.philips.com/lighting)

2016, February 1  
 data subject to change