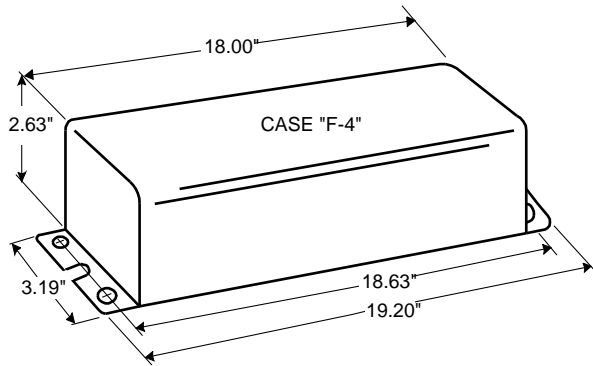


**PHILIPS  
ADVANCE**

**Metal  
Halide  
Lamp Ballast**

**Catalog Number 72C5882  
For 320W M132/M154 (P.S.)  
60 Hz CWA  
Status: Active**

**DIMENSIONS AND DATA**



INPUT VOLTS	120	277			
CIRCUIT TYPE	CWA				
POWER FACTOR (min)	90%				
REGULATION					
Line Volts	±10%				
Lamp Watts	±10%				
LINE CURRENT (Amps)					
Operating.....	3.35	1.46			
Open Circuit.....	1.60	0.70			
Starting.....	2.75	1.20			
UL TEMPERATURE RATINGS					
Insulation Class	A (105°C)				
Coil Temperature Code	1029				
MIN. AMBIENT STARTING TEMP.	-20°F or -30°C				
NOM. OPEN CIRCUIT VOLTAGE	270				
INPUT VOLTAGE AT LAMP DROPOUT.....	65	160			
INPUT WATTS	370				
RECOMMENDED FUSE (Amps).....	8	3			
CORE and COIL					
Dimension (A)					
Dimension (B)	21				
Weight (lbs.)	12"				
Lead Lengths					
CAPACITOR REQUIREMENT					
Microfarads					
Volts (min.)					
Fault Current Withstand (amps)					
60 Hz TEST PROCEDURES (Refer to Philips Lighting Electronics N.A. TEST Procedure for HID Ballasts - Form 127)					
High Potential Test (Volts)	1500				
1 minute	2500				
2 seconds	245-300				
Open Circuit Voltage Test (Volts)					
Short-Circuit Current Test (Amps)	2.70-3.40				
Secondary Current					
Input Current.....	2.10-	0.90-	-	-	-
	3.15	1.40			

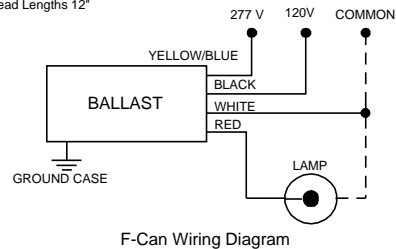
Capacitor:

The capacitor is included as part of the potted assembly.



**Wiring Diagram:**

All Lead Lengths 12"



Ignitor: IN CAN

The ignitor is included as part of the potted assembly.

Ballast to Lamp Distance (BTL) = 50 feet  
Temp Rating: 90°C

**Typical Ordering Information**

(please call Philips Lighting Electronics N.A. for suffix availability)

**Order Suffix**

**Description**

Data is based upon tests performed by Philips Lighting Electronics N.A. in a controlled environment and is representative of relative performance. Actual performance can vary depending on operating conditions. Specifications are subject to change without notice.

**PHILIPS LIGHTING ELECTRONICS N.A.**

10275 WEST HIGGINS ROAD · ROSEMONT, IL 60018

Tel: 800-322-2086 · Fax: 888-423-1882 · www.philips.com/advance

Customer Support/Technical Service: 800-372-3331 · OEM Support: 866-915-5886

Revised: 10/29/09