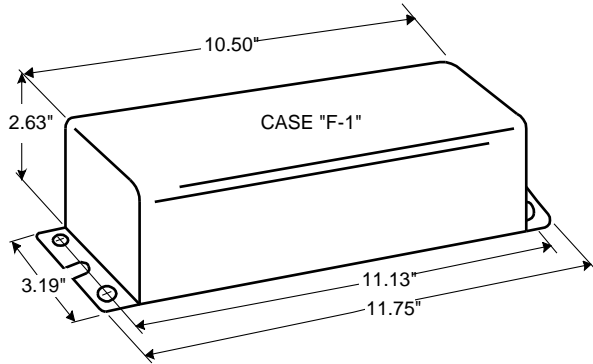


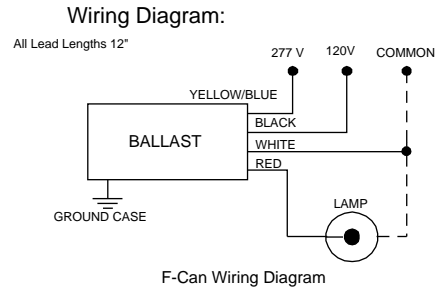
**DIMENSIONS AND DATA**



INPUT VOLTS	120	277			
CIRCUIT TYPE	HX-HPF				
POWER FACTOR (min)	90%				
REGULATION					
Line Volts	±5%				
Lamp Watts	±12%				
LINE CURRENT (Amps)					
Operating.....	1.10	0.48			
Open Circuit.....	2.55	1.10			
Starting.....	2.20	0.95			
UL TEMPERATURE RATINGS					
Insulation Class	A (105°C)				
Coil Temperature Code	1029	A	A		
MIN. AMBIENT STARTING TEMP.	-20°F or -30°C				
NOM. OPEN CIRCUIT VOLTAGE	277				
INPUT VOLTAGE AT LAMP DROPOUT.....	72	166			
INPUT WATTS	125				
RECOMMENDED FUSE (Amps).....	6	3			
CORE and COIL					
Dimension (A)					
Dimension (B)					
Weight (lbs.)	11				
Lead Lengths	12"				
CAPACITOR REQUIREMENT					
Microfarads					
Volts (min.)					
Fault Current Withstand (amps)					
60 Hz TEST PROCEDURES (Refer to Philips Lighting Electronics N.A. TEST Procedure for HID Ballasts - Form 127 High Potential Test (Volts)					
1 minute	1600				
2 seconds	2000				
Open Circuit Voltage Test (Volts)	250-305				
Short-Circuit Current Test (Amps)					
Secondary Current	1.30-1.60				
Input Current.....	0.70-1.10	0.30-0.50	-	-	-

Capacitor:

The capacitor is included as part of the potted assembly.



**Typical Ordering Information**

(please call Philips Lighting Electronics N.A. for suffix availability)

Order Suffix	Description
--------------	-------------

Ignitor: IN CAN

The ignitor is included as part of the potted assembly.

Ballast to Lamp Distance (BTL) = 5 feet  
Temp Rating: 90°C

Data is based upon tests performed by Philips Lighting Electronics N.A. in a controlled environment and is representative of relative performance. Actual performance can vary depending on operating conditions. Specifications are subject to change without notice.

**PHILIPS LIGHTING ELECTRONICS N.A.**

10275 WEST HIGGINS ROAD · ROSEMONT, IL 60018

Tel: 800-322-2086 · Fax: 888-423-1882 · www.philips.com/advance

Customer Support/Technical Service: 800-372-3331 · OEM Support: 866-915-5886

Revised: 12/07/09