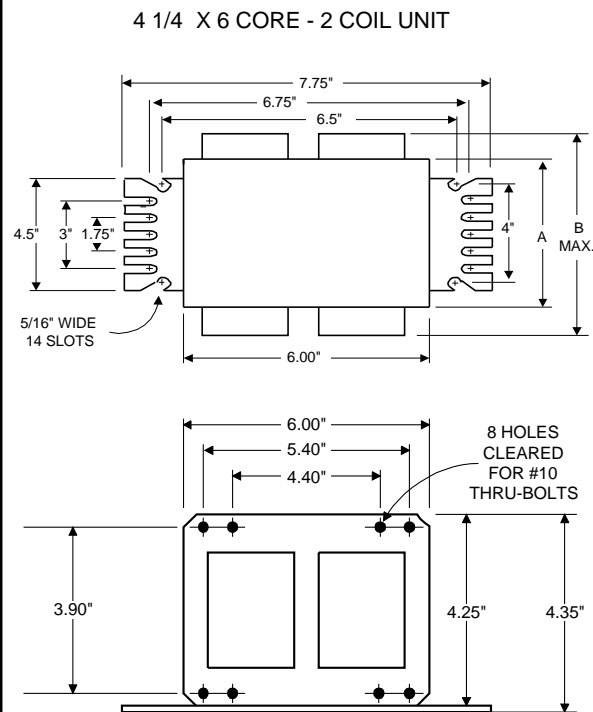
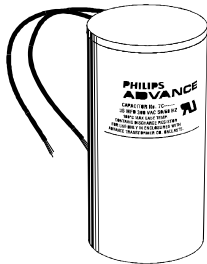


DIMENSIONS AND DATA



INPUT VOLTS	277	347	480		
CIRCUIT TYPE	CWA				
POWER FACTOR (min)	90%				
REGULATION					
Line Volts	±10%				
Lamp Watts	±10%				
LINE CURRENT (Amps)					
Operating.....	3.10	2.50	1.78		
Open Circuit.....	1.50	1.20	0.90		
Starting.....	3.00	2.30	1.65		
UL TEMPERATURE RATINGS	H(180°C)				
Insulation Class	1029				
Coil Temperature Code	E	D	D		
MIN. AMBIENT STARTING TEMP.	-40°F or -40°C				
NOM. OPEN CIRCUIT VOLTAGE	225				
INPUT VOLTAGE AT LAMP DROPOUT.....	208	260	360		
INPUT WATTS	840				
RECOMMENDED FUSE (Amps).....	10	10	5		
CORE and COIL					
Dimension (A)	3.12				
Dimension (B)	5.13				
Weight (lbs.)	23				
Lead Lengths	12"				
CAPACITOR REQUIREMENT	75.0				
Microfarads	280				
Volts (min.)					
Fault Current Withstand (amps)					
60 Hz TEST PROCEDURES (Refer to Philips Lighting Electronics N.A. TEST Procedure for HID Ballasts - Form 127 High Potential Test (Volts)					
1 minute	2000				
2 seconds	2500				
Open Circuit Voltage Test (Volts)	200-245				
Short-Circuit Current Test (Amps)	9.50-11.70				
Secondary Current					
Input Current.....	2.00-3.00	1.60-2.40	1.10-1.70	-	-

Capacitor: 7C750S28R



Capacitance: 75
Dia/Oval Dim: 2.0
Height: 5.125
Temp Rating: 105°C



Wiring Diagram:

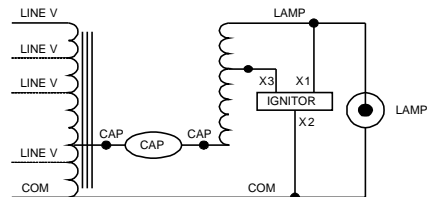
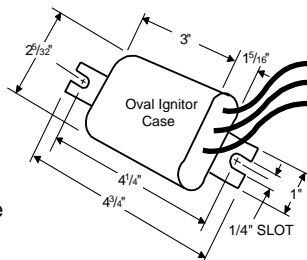


Fig. M

Ignitor: LI561-H5



Ballast to Lamp Distance (BTL) = 5 feet
Temp Rating: 105°C

Typical Ordering Information

(please call Philips Lighting Electronics N.A. for suffix availability)

Order Suffix

Description

Data is based upon tests performed by Philips Lighting Electronics N.A. in a controlled environment and is representative of relative performance. Actual performance can vary depending on operating conditions. Specifications are subject to change without notice.

PHILIPS LIGHTING ELECTRONICS N.A.

10275 WEST HIGGINS ROAD · ROSEMONT, IL 60018

Tel: 800-322-2086 · Fax: 888-423-1882 · www.philips.com/advance

Customer Support/Technical Service: 800-372-3331 · OEM Support: 866-915-5886

Revised: 07/08/03