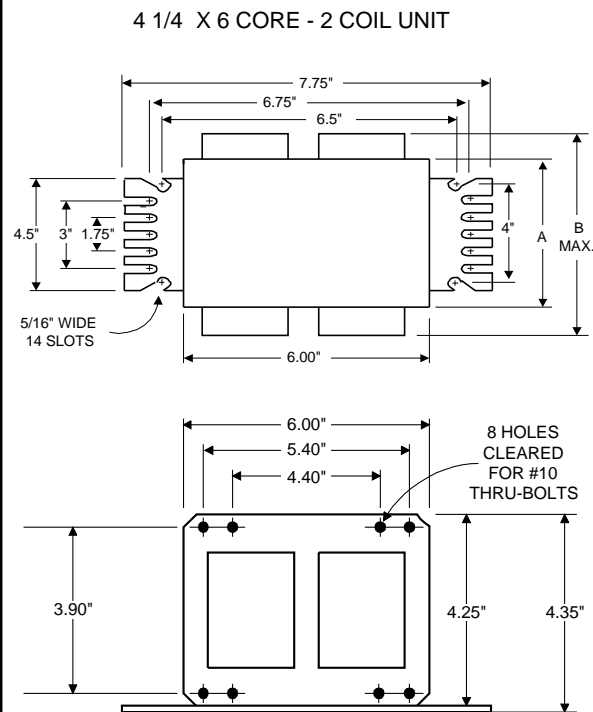


DIMENSIONS AND DATA



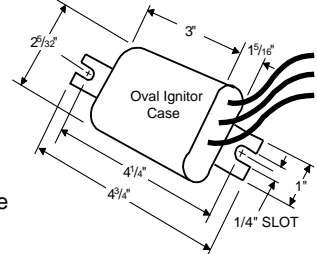
INPUT VOLTS	120	208	240		
CIRCUIT TYPE	CWA				
POWER FACTOR (min)	90%				
REGULATION					
Line Volts	±10%				
Lamp Watts	±10%				
LINE CURRENT (Amps)					
Operating.....	6.75	4.00	3.50		
Open Circuit.....	3.00	1.75	1.60		
Starting.....	6.30	3.70	3.20		
UL TEMPERATURE RATINGS	H(180°C)				
Insulation Class	1029				
Coil Temperature Code	-40°F or -40°C	D	E	E	
MIN. AMBIENT STARTING TEMP.	220				
NOM. OPEN CIRCUIT VOLTAGE					
INPUT VOLTAGE AT LAMP DROPOUT.....	840	90	156	180	
INPUT WATTS					
RECOMMENDED FUSE (Amps).....	20	10	10		
CORE and COIL	3.15				
Dimension (A)	5.10				
Dimension (B)	22.5				
Weight (lbs.)	18"				
Lead Lengths					
CAPACITOR REQUIREMENT	75.0				
Microfarads	280				
Volts (min.)					
Fault Current Withstand (amps)					
60 Hz TEST PROCEDURES (Refer to Philips Lighting Electronics N.A. TEST Procedure for HID Ballasts - Form 127)					
High Potential Test (Volts)	2000				
1 minute	2500				
2 seconds	200-245				
Open Circuit Voltage Test (Volts)					
Short-Circuit Current Test (Amps)	9.20-11.25				
Secondary Current					
Input Current.....	4.40-	2.50-	2.20-	-	-
	6.50	3.85	3.40		

Capacitor: 7C750S28R

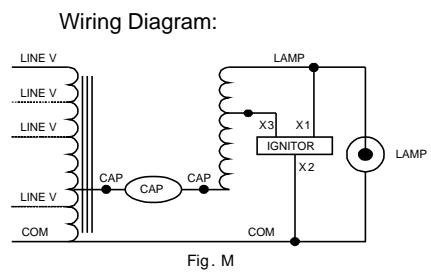


Capacitance: 75
Dia/Oval Dim: 2.0
Height: 5.125
Temp Rating: 105°C

Ignitor: LI561-H5



Ballast to Lamp Distance (BTL) = 5 feet
Temp Rating: 105°C



Typical Ordering Information

(please call Philips Lighting Electronics N.A. for suffix availability)

Order Suffix	Description

Data is based upon tests performed by Philips Lighting Electronics N.A. in a controlled environment and is representative of relative performance. Actual performance can vary depending on operating conditions. Specifications are subject to change without notice.

PHILIPS LIGHTING ELECTRONICS N.A.

10275 WEST HIGGINS ROAD · ROSEMONT, IL 60018

Tel: 800-322-2086 · Fax: 888-423-1882 · www.philips.com/advance

Customer Support/Technical Service: 800-372-3331 · OEM Support: 866-915-5886