

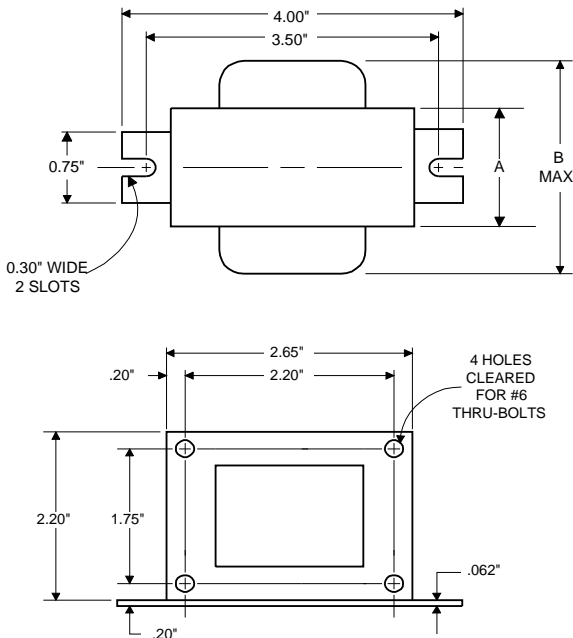
**PHILIPS  
ADVANCE**

**High Pressure  
Sodium  
Lamp Ballast**

**Catalog Number 71A8107  
For 150W S55  
60 Hz R-HPF  
Status: Active**

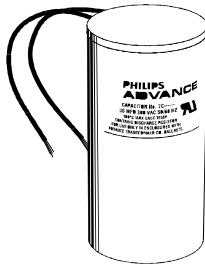
**DIMENSIONS AND DATA**

2 5/8 X 2 3/16 CORE



INPUT VOLTS	120			
CIRCUIT TYPE	R-HPF			
POWER FACTOR (min)	90%			
REGULATION				
Line Volts	±5%			
Lamp Watts	WITHIN TRAPEZOID			
LINE CURRENT (Amps)				
Operating.....	1.50			
Open Circuit.....	2.35			
Starting.....	2.25			
UL TEMPERATURE RATINGS				
Insulation Class	H(180°C)			
Coil Temperature Code	1029	A		
MIN. AMBIENT STARTING TEMP.	-40°F or -40°C			
NOM. OPEN CIRCUIT VOLTAGE	120			
INPUT VOLTAGE AT LAMP DROPOUT.....	96			
INPUT WATTS	170			
RECOMMENDED FUSE (Amps).....	8			
CORE and COIL				
Dimension (A)	2.00			
Dimension (B)	3.30			
Weight (lbs.)	4			
Lead Lengths	12"			
CAPACITOR REQUIREMENT				
Microfarads	55.0			
Volts (min.)	120			
Fault Current Withstand (amps)				
60 Hz TEST PROCEDURES (Refer to Philips Lighting Electronics N.A. TEST Procedure for HID Ballasts - Form 127 High Potential Test (Volts)				
1 minute	2000			
2 seconds	2500			
Open Circuit Voltage Test (Volts)	114-126			
Short-Circuit Current Test (Amps)				
Secondary Current	3.65-5.55			
Input Current.....	1.65-2.75	-	-	-

Capacitor: 7C550P12



Capacitance: 55  
Dia/Oval Dim: 1.75  
Height: 3.75  
Temp Rating: 105°C

Wiring Diagram:

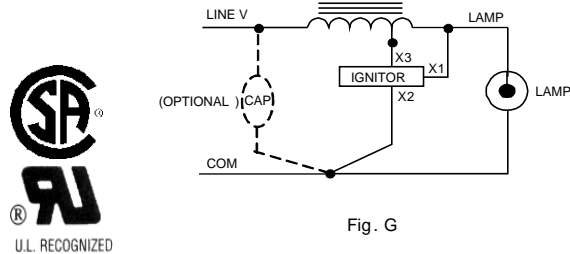


Fig. G

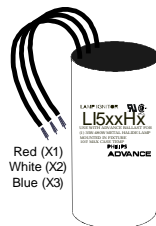
**Typical Ordering Information**

(please call Philips Lighting Electronics N.A. for suffix availability)

**Order Suffix**

**Description**

Ignitor: LI551-H4



Ballast to Lamp Distance (BTL) = 2 feet  
Temp Rating: 105°C

Data is based upon tests performed by Philips Lighting Electronics N.A. in a controlled environment and is representative of relative performance. Actual performance can vary depending on operating conditions. Specifications are subject to change without notice.

**PHILIPS LIGHTING ELECTRONICS N.A.**

10275 WEST HIGGINS ROAD · ROSEMONT, IL 60018

Tel: 800-322-2086 · Fax: 888-423-1882 · www.philips.com/advance

Customer Support/Technical Service: 800-372-3331 · OEM Support: 866-915-5886

Revised: 05/16/03