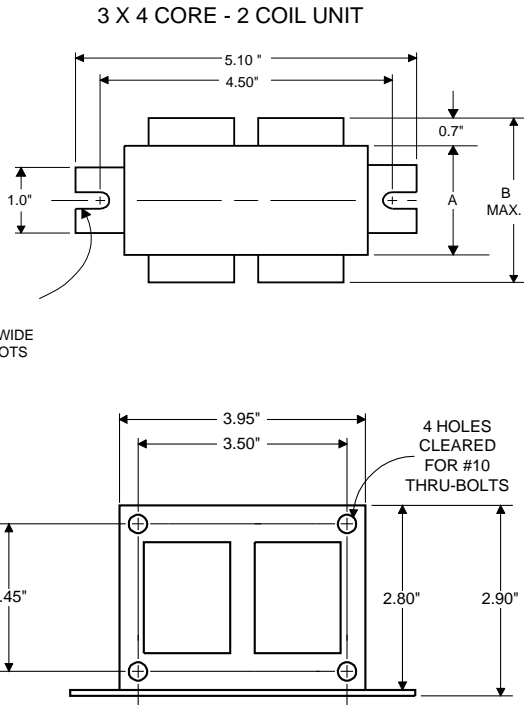
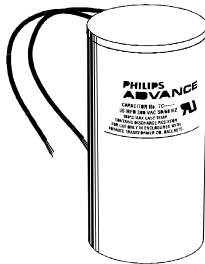


**DIMENSIONS AND DATA**



INPUT VOLTS		480			
CIRCUIT TYPE	HX-HPF				
POWER FACTOR (min)	90%				
REGULATION					
Line Volts	±5%				
Lamp Watts	WITHIN TRAPEZOID				
LINE CURRENT (Amps)					
Operating.....		0.21			
Open Circuit.....		0.36			
Starting.....		0.21			
UL TEMPERATURE RATINGS	H(180°C)				
Insulation Class	1029				
Coil Temperature Code	-40°F or -40°C	A			
MIN. AMBIENT STARTING TEMP.	120				
NOM. OPEN CIRCUIT VOLTAGE					
INPUT VOLTAGE AT LAMP DROPOUT.....	93	384			
INPUT WATTS					
RECOMMENDED FUSE (Amps).....		2			
CORE and COIL					
Dimension (A)	1.85				
Dimension (B)	3.20				
Weight (lbs.)	6.5				
Lead Lengths	12"				
CAPACITOR REQUIREMENT					
Microfarads	7.0				
Volts (min.)	280				
Fault Current Withstand (amps)					
60 Hz TEST PROCEDURES (Refer to Philips Lighting Electronics N.A. TEST Procedure for HID Ballasts - Form 127)					
High Potential Test (Volts)		2000			
1 minute		2500			
2 seconds		110-130			
Open Circuit Voltage Test (Volts)					
Short-Circuit Current Test (Amps)		1.80-2.20			
Secondary Current					
Input Current.....		0.15-	-	-	-
		0.25			

Capacitor: 7C070L33-R



Capacitance: 7  
Dia/Oval Dim: 1.25  
Height: 2.9  
Temp Rating: 105°C

Ignitor: LI551-H4



Ballast to Lamp Distance (BTL) = 2 feet  
Temp Rating: 105°C



U.L. RECOGNIZED

Wiring Diagram:

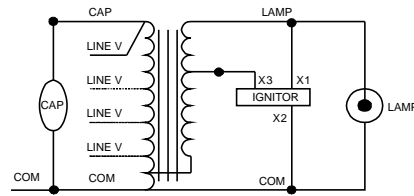


Fig. K

**Typical Ordering Information**

(please call Philips Lighting Electronics N.A. for suffix availability)

Order Suffix	Description

Data is based upon tests performed by Philips Lighting Electronics N.A. in a controlled environment and is representative of relative performance. Actual performance can vary depending on operating conditions. Specifications are subject to change without notice.

**PHILIPS LIGHTING ELECTRONICS N.A.**

10275 WEST HIGGINS ROAD · ROSEMONT, IL 60018

Tel: 800-322-2086 · Fax: 888-423-1882 · www.philips.com/advance

Customer Support/Technical Service: 800-372-3331 · OEM Support: 866-915-5886

Revised: 05/13/99