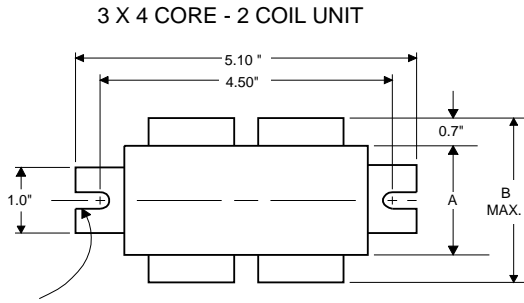


**PHILIPS
ADVANCE**

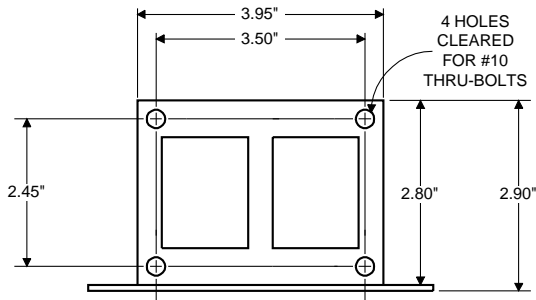
**High Pressure
Sodium
Lamp Ballast**

**Catalog Number 71A7891
For 50W S68
60 Hz HX-HPF
Status: Active**

DIMENSIONS AND DATA

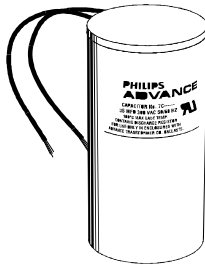


0.25" WIDE
2 SLOTS



INPUT VOLTS	120	208	240	277
CIRCUIT TYPE	HX-HPF			
POWER FACTOR (min)	90%			
REGULATION				
Line Volts	±5%			
Lamp Watts	WITHIN TRAPEZOID			
LINE CURRENT (Amps)				
Operating.....	0.61	0.35	0.31	0.26
Open Circuit.....	1.00	0.57	0.50	0.45
Starting.....	0.65	0.37	0.32	0.30
UL TEMPERATURE RATINGS	H(180°C)			
Insulation Class	1029			
Coil Temperature Code	-20°F or -30°C			
MIN. AMBIENT STARTING TEMP.	125			
NOM. OPEN CIRCUIT VOLTAGE				
INPUT VOLTAGE AT LAMP DROPOUT.....	96	166	196	222
INPUT WATTS				
RECOMMENDED FUSE (Amps).....	3	2	2	1
CORE and COIL				
Dimension (A)	1.00			
Dimension (B)	2.20			
Weight (lbs.)	3.5			
Lead Lengths	12"			
CAPACITOR REQUIREMENT				
Microfarads	5.0			
Volts (min.)	300			
Fault Current Withstand (amps)				
60 Hz TEST PROCEDURES (Refer to Philips Lighting Electronics N.A. TEST Procedure for HID Ballasts - Form 127				
High Potential Test (Volts)	2000			
1 minute	2500			
2 seconds	115-135			
Open Circuit Voltage Test (Volts)				
Short-Circuit Current Test (Amps)	1.30-1.90			
Secondary Current				
Input Current.....	0.60-	0.32-	0.30-	0.25-
	0.80	0.48	0.40	0.35

Capacitor: 7C050L33



Capacitance: 5
Dia/Oval Dim: 1.25
Height: 2.9
Temp Rating: 105°C

Ignitor: LI551-H4



Ballast to Lamp Distance
(BTL) = 2 feet
Temp Rating: 105°C

**RoHS
COMPLIANT**



U.L. RECOGNIZED

Wiring Diagram:

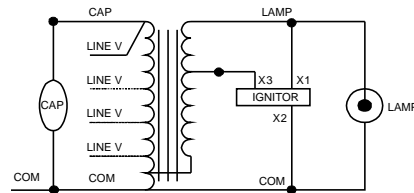


Fig. K

Typical Ordering Information

(please call Philips Lighting Electronics N.A. for suffix availability)

Order Suffix	Description

Data is based upon tests performed by Philips Lighting Electronics N.A. in a controlled environment and is representative of relative performance. Actual performance can vary depending on operating conditions. Specifications are subject to change without notice.

PHILIPS LIGHTING ELECTRONICS N.A.

10275 WEST HIGGINS ROAD · ROSEMONT, IL 60018

Tel: 800-322-2086 · Fax: 888-423-1882 · www.philips.com/advance

Customer Support/Technical Service: 800-372-3331 · OEM Support: 866-915-5886

Revised: 01/24/07