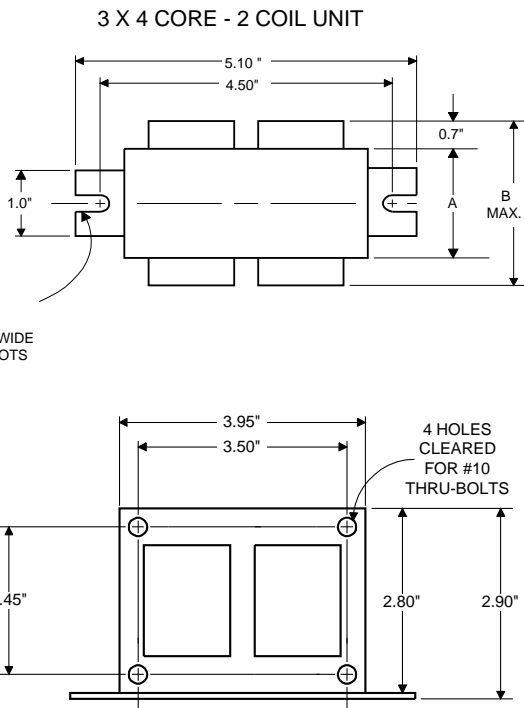


**PHILIPS
ADVANCE**

**High Pressure
Sodium
Lamp Ballast**

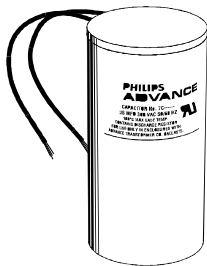
**Catalog Number 71A7801
For 50W S68
60 Hz HX-HPF
Status: Active**

DIMENSIONS AND DATA

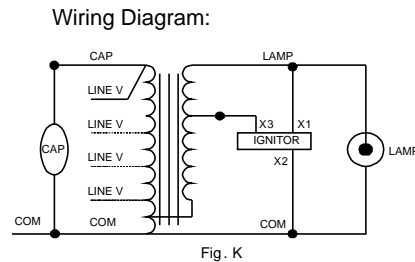


INPUT VOLTS	120	277			
CIRCUIT TYPE	HX-HPF				
POWER FACTOR (min)	90%				
REGULATION	±5%				
Line Volts	WITHIN TRAPEZOID				
Lamp Watts					
LINE CURRENT (Amps)					
Operating.....	0.61	0.26			
Open Circuit.....	1.00	0.45			
Starting.....	0.65	0.30			
UL TEMPERATURE RATINGS	H(180°C)				
Insulation Class					
Coil Temperature Code	1029	A	A		
MIN. AMBIENT STARTING TEMP.	-20°F or -30°C				
NOM. OPEN CIRCUIT VOLTAGE	125				
INPUT VOLTAGE AT LAMP DROPOUT.....	96	222			
INPUT WATTS	66				
RECOMMENDED FUSE (Amps).....	3	1			
CORE and COIL					
Dimension (A)	1.00				
Dimension (B)	2.20				
Weight (lbs.)	3.5				
Lead Lengths	12"				
CAPACITOR REQUIREMENT					
Microfarads	5.0				
Volts (min.)	280				
Fault Current Withstand (amps)					
60 Hz TEST PROCEDURES (Refer to Philips Lighting Electronics N.A. TEST Procedure for HID Ballasts - Form 127 High Potential Test (Volts)					
1 minute	2000				
2 seconds	2500				
Open Circuit Voltage Test (Volts)	115-135				
Short-Circuit Current Test (Amps)					
Secondary Current	1.30-1.90				
Input Current.....	0.60-	0.25-	-	-	-
	0.80	0.35			

Capacitor: 7C050L33



Capacitance: 5
Dia/Oval Dim: 1.25
Height: 2.9
Temp Rating: 105°C



Typical Ordering Information

(please call Philips Lighting Electronics N.A. for suffix availability)

Order Suffix	Description
--------------	-------------

Ignitor: LI551-H4



Red (X1)
White (X2)
Blue (X3)

Ballast to Lamp Distance (BTL) = 2 feet
Temp Rating: 105°C

Data is based upon tests performed by Philips Lighting Electronics N.A. in a controlled environment and is representative of relative performance. Actual performance can vary depending on operating conditions. Specifications are subject to change without notice.

PHILIPS LIGHTING ELECTRONICS N.A.

10275 WEST HIGGINS ROAD · ROSEMONT, IL 60018
Tel: 800-322-2086 · Fax: 888-423-1882 · www.philips.com/advance
Customer Support/Technical Service: 800-372-3331 · OEM Support: 866-915-5886

Revised: 05/13/99