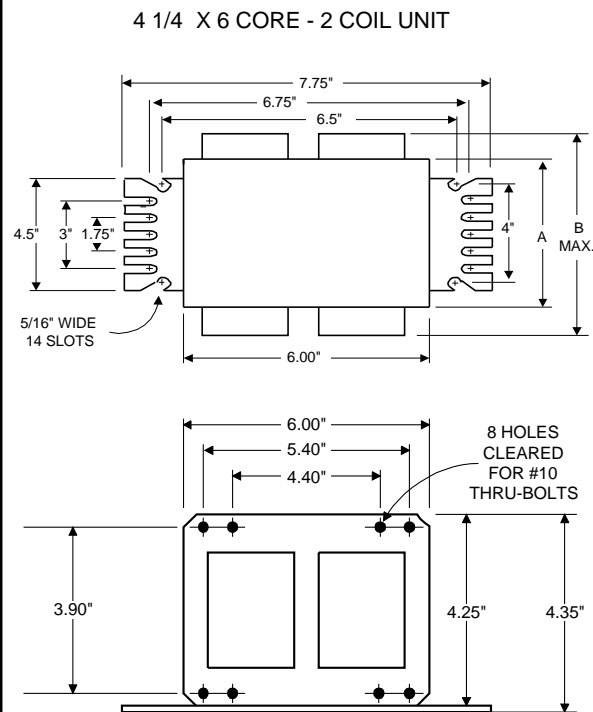
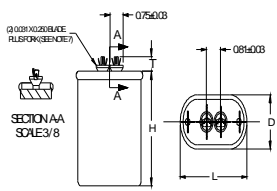


**DIMENSIONS AND DATA**



INPUT VOLTS	120	208	240	277	
CIRCUIT TYPE	CWA				
POWER FACTOR (min)	90%				
REGULATION					
Line Volts	±10%				
Lamp Watts	±12%				
LINE CURRENT (Amps)					
Operating.....	13.5	7.80	6.75	5.85	
Open Circuit.....	4.80	2.50	2.20	2.00	
Starting.....	13.4	7.70	6.70	5.70	
UL TEMPERATURE RATINGS	H(180°C)				
Insulation Class	1029				
Coil Temperature Code	-20°F or -30°C				
MIN. AMBIENT STARTING TEMP.	450				
NOM. OPEN CIRCUIT VOLTAGE					
INPUT VOLTAGE AT LAMP DROPOUT.....	1605	80	140	160	185
INPUT WATTS					
RECOMMENDED FUSE (Amps).....	30	25	20	15	
CORE and COIL					
Dimension (A)	4.10				
Dimension (B)	6.10				
Weight (lbs.)	30				
Lead Lengths	12"				
CAPACITOR REQUIREMENT					
Microfarads	32.0				
Volts (min.)	525				
Fault Current Withstand (amps)					
60 Hz TEST PROCEDURES (Refer to Philips Lighting Electronics N.A. TEST Procedure for HID Ballasts - Form 127)					
High Potential Test (Volts)	2000				
1 minute	2500				
2 seconds	405-495				
Open Circuit Voltage Test (Volts)					
Short-Circuit Current Test (Amps)	7.40-9.00				
Secondary Current					
Input Current.....	9.80-	5.60-	5.20-	4.40-	-
	14.8	8.30	7.80	6.70	

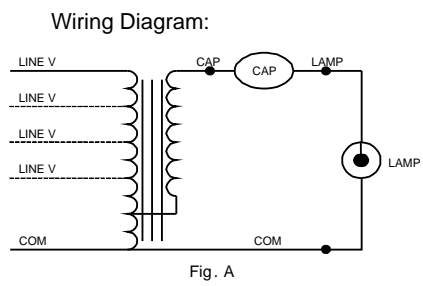
Capacitor: MD3202-100



Capacitance: 32  
Dia/Oval Dim: 2.00  
Height: 3.75  
Temp Rating: 90°C

Ignitor: NA

This ballast does not require the use of an ignitor.



**Typical Ordering Information**

(please call Philips Lighting Electronics N.A. for suffix availability)

Order Suffix	Description

Data is based upon tests performed by Philips Lighting Electronics N.A. in a controlled environment and is representative of relative performance. Actual performance can vary depending on operating conditions. Specifications are subject to change without notice.