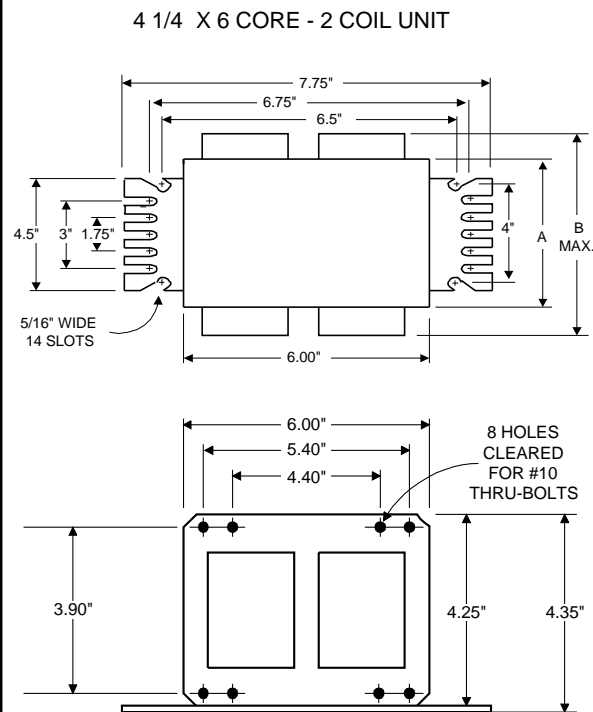
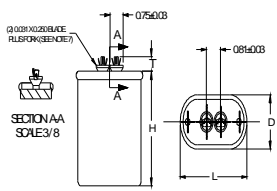


DIMENSIONS AND DATA



INPUT VOLTS	480			
CIRCUIT TYPE	CWA			
POWER FACTOR (min)	90%			
REGULATION				
Line Volts	±10%			
Lamp Watts	±12%			
LINE CURRENT (Amps)				
Operating.....	3.40			
Open Circuit.....	1.40			
Starting.....	3.30			
UL TEMPERATURE RATINGS	H(180°C)			
Insulation Class	1029			
Coil Temperature Code	-20°F or -30°C	E		
MIN. AMBIENT STARTING TEMP.	450			
NOM. OPEN CIRCUIT VOLTAGE				
INPUT VOLTAGE AT LAMP DROPOUT.....	1625	320		
INPUT WATTS				
RECOMMENDED FUSE (Amps).....	10			
CORE and COIL	4.20			
Dimension (A)	6.20			
Dimension (B)	31			
Weight (lbs.)	12"			
Lead Lengths				
CAPACITOR REQUIREMENT	32.0			
Microfarads	525			
Volts (min.)				
Fault Current Withstand (amps)				
60 Hz TEST PROCEDURES (Refer to Philips Lighting Electronics N.A. TEST Procedure for HID Ballasts - Form 127)				
High Potential Test (Volts)	2000			
1 minute	2500			
2 seconds	405-495			
Open Circuit Voltage Test (Volts)				
Short-Circuit Current Test (Amps)	7.40-9.00			
Secondary Current				
Input Current.....	2.40-			
	3.70			

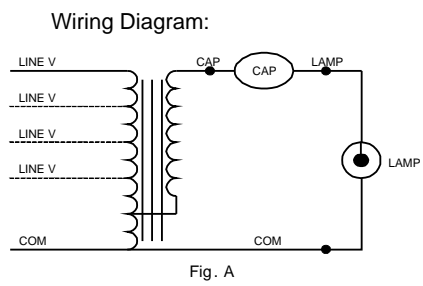
Capacitor: MD3202-100



Capacitance: 32
Dia/Oval Dim: 2.00
Height: 3.75
Temp Rating: 90°C

Ignitor: NA

This ballast does not require the use of an ignitor.



Typical Ordering Information

(please call Philips Lighting Electronics N.A. for suffix availability)

Order Suffix	Description

Data is based upon tests performed by Philips Lighting Electronics N.A. in a controlled environment and is representative of relative performance. Actual performance can vary depending on operating conditions. Specifications are subject to change without notice.