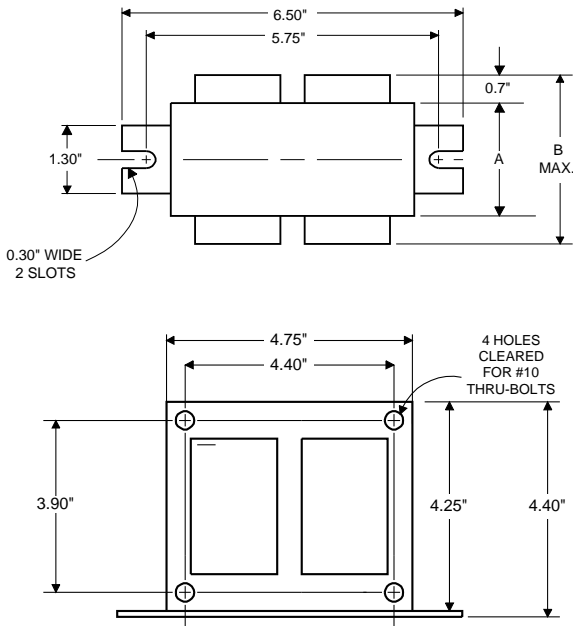
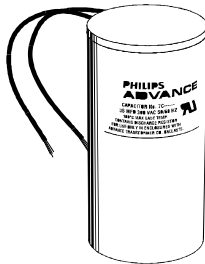


DIMENSIONS AND DATA

4 1/4 X 4 3/4 CORE - 2 COIL UNIT



Capacitor: 7C240P40-R

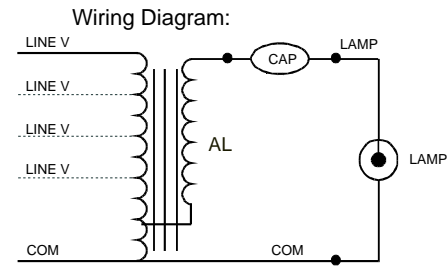


Capacitance: 24
Dia/Oval Dim: 1.75
Height: 4.8
Temp Rating: 105°C

Ignitor: NA

This ballast does not require the use of an ignitor.

INPUT VOLTS	120	208	240	277	
CIRCUIT TYPE	CWA				
POWER FACTOR (min)	90%				
REGULATION					
Line Volts	±10%				
Lamp Watts	±10%				
LINE CURRENT (Amps)					
Operating.....	4.00	2.30	2.00	1.75	
Open Circuit.....	3.00	1.80	1.50	1.35	
Starting.....	3.25	1.90	1.65	1.45	
UL TEMPERATURE RATINGS	H(180°C)				
Insulation Class	1029				
Coil Temperature Code	-20°F or -30°C	D	E	D	E
MIN. AMBIENT STARTING TEMP.	305				
NOM. OPEN CIRCUIT VOLTAGE					
INPUT VOLTAGE AT LAMP DROPOUT.....	455	50	85	100	120
INPUT WATTS					
RECOMMENDED FUSE (Amps).....	10	7	5	5	
CORE and COIL	2.13				
Dimension (A)	4.00				
Dimension (B)	10.5				
Weight (lbs.)	12"				
Lead Lengths					
CAPACITOR REQUIREMENT	24.0				
Microfarads	400				
Volts (min.)					
Fault Current Withstand (amps)					
60 Hz TEST PROCEDURES (Refer to Philips Lighting Electronics N.A. TEST Procedure for HID Ballasts - Form 127					
High Potential Test (Volts)	2000				
1 minute	2500				
2 seconds	275-335				
Open Circuit Voltage Test (Volts)					
Short-Circuit Current Test (Amps)	3.40-4.20				
Secondary Current					
Input Current.....	2.55-	1.45-	1.30-	1.10-	-
	3.80	2.20	1.90	1.65	



Typical Ordering Information

(please call Philips Lighting Electronics N.A. for suffix availability)

Order Suffix	Description
001D	STANDARD IC PACK WITH DRY CAP - NO FLAG TERMINALS

Data is based upon tests performed by Philips Lighting Electronics N.A. in a controlled environment and is representative of relative performance. Actual performance can vary depending on operating conditions. Specifications are subject to change without notice.

PHILIPS LIGHTING ELECTRONICS N.A.

10275 WEST HIGGINS ROAD · ROSEMONT, IL 60018

Tel: 800-322-2086 · Fax: 888-423-1882 · www.philips.com/advance

Customer Support/Technical Service: 800-372-3331 · OEM Support: 866-915-5886

Revised: 03/23/10