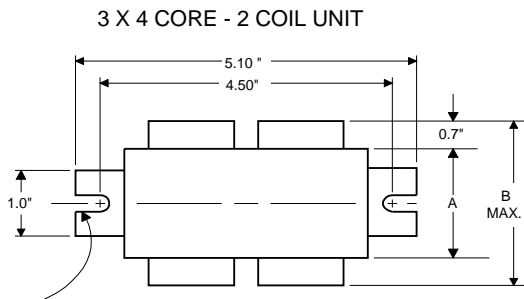
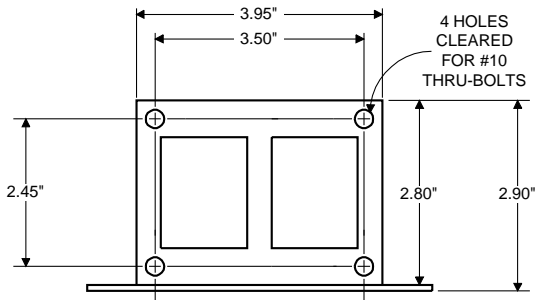


**DIMENSIONS AND DATA**

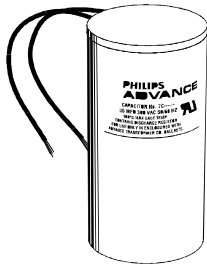


0.25" WIDE  
2 SLOTS



	120	208	240	277
INPUT VOLTS				
CIRCUIT TYPE	SUPER-CWA			
POWER FACTOR (min)	90%			
REGULATION				
Line Volts	±10%			
Lamp Watts	±10%			
LINE CURRENT (Amps)				
Operating.....	1.80	1.05	0.90	0.80
Open Circuit.....	1.90	1.05	0.90	0.80
Starting.....	0.70	0.75	0.65	0.55
UL TEMPERATURE RATINGS				
Insulation Class	H(180°C)			
Coil Temperature Code	1029	C	C	C
MIN. AMBIENT STARTING TEMP.	-20°F or -30°C			
NOM. OPEN CIRCUIT VOLTAGE	275			
INPUT VOLTAGE AT LAMP DROPOUT.....	60	104	120	138
INPUT WATTS	208			
RECOMMENDED FUSE (Amps).....	5	3	3	3
CORE and COIL				
Dimension (A)	2.24			
Dimension (B)	3.50			
Weight (lbs.)	7			
Lead Lengths	12"			
CAPACITOR REQUIREMENT				
Microfarads	11.0			
Volts (min.)	370			
Fault Current Withstand (amps)				
60 Hz TEST PROCEDURES (Refer to Philips Lighting Electronics N.A. TEST Procedure for HID Ballasts - Form 127 High Potential Test (Volts)				
1 minute	2000			
2 seconds	2500			
Open Circuit Voltage Test (Volts)	250-300			
Short-Circuit Current Test (Amps)				
Secondary Current	1.60-1.95			
Input Current.....	0.40-0.70	0.22-0.35	0.20-0.35	0.17-0.32

Capacitor: 7C110M40



Capacitance: 11  
Dia/Oval Dim: 1.65  
Height: 3.75  
Temp Rating: 105°C



Wiring Diagram:

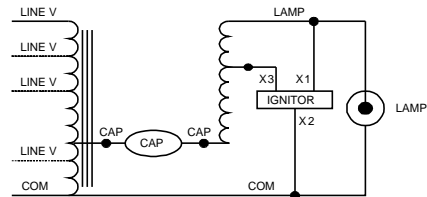


Fig. M

**Typical Ordering Information**

(please call Philips Lighting Electronics N.A. for suffix availability)

**Order Suffix**

**Description**

Ignitor: LI533-H4



Red (X1)  
White (X2)  
Blue (X3)

Ballast to Lamp Distance  
(BTL) = 2 feet  
Temp Rating: 105°C

Data is based upon tests performed by Philips Lighting Electronics N.A. in a controlled environment and is representative of relative performance. Actual performance can vary depending on operating conditions. Specifications are subject to change without notice.

**PHILIPS LIGHTING ELECTRONICS N.A.**

10275 WEST HIGGINS ROAD · ROSEMONT, IL 60018

Tel: 800-322-2086 · Fax: 888-423-1882 · www.philips.com/advance

Customer Support/Technical Service: 800-372-3331 · OEM Support: 866-915-5886