

Core & Coil (71A) MH ~LT~ 175W

CORE & COIL HID 71A53A0001D

The basic ballast is the open core and coil which is most often used as a component within a lighting luminaire. The core and coil also forms the nucleus of Philips Advance's five other ballast configurations. The basic ballast is the open core and coil which is most often used as a component within a lighting luminaire. The core and coil also forms the nucleus of Philips Advance's five other ballast configurations.

Product data

• General Information

ANSI Code	M90/M140
Lamp Type	100 MH
Number Of Lamps	1 piece/unit
Circuit Type	HX-HPF
Ballast Type	Magnetic HID
Base Model	71A53A0
Core Size	3 X 4 (2 coil)
Suitable For Outdoor Use	Yes
Ignitor Catalog Number	LI533-H4
Ignitor Temperature Rating	105°C
Capacitor Value	12 MFD
Capacitor Catalog Number	7C120M30RA
Capacitor Requirements	280V
Capacitor Temperature Rating	105°C
Capacitor Diameter/ Oval Dimensions	1.65 in
Capacitor Height	2.75 in
Automatic Restart	No

• Operating and Electrical

Input Voltage	120/277/347 V
Input Frequency	60 Hz
Input Current (Open Circuit)	2.6/1.15/1 A
Input Current (Starting)	1.15/0.5/0.4 A
Input Current (Short Circuit)	0.7-1.2/0.3-0.5/0.25-0.45 A

Secondary Short Circuit Current	1.3-1.6 A
Constant Wattage Deviation	12%
Ballast Factor (Nom)	1
Power Factor (Nom)	0.90
Open Circuit Voltage	280 V
Input Current (Nom)	1.15/0.5/0.4 A A
Input Power (Nom)	129 W
Rated Lamp Power	100W W

• Wiring

Wire Striplength	0.5 mm
Wire Length By Color	12"
Wire Type	Stranded
Remote Wiring Configuration Allowed	Yes
Max Ballast-Lamp Distance Remote Wiring	25'
Recommended Fuse Value	6/3/2 A

• Approval and Application

Open Circuit Voltage Test (Volts)	250-315 V
Approval Marks	ULR CSA certificate RoHS Compliant
Temperature Marking	B/B/B
UL Recognized	Yes

PHILIPS

Core & Coil (71A) MH ~LT~ 175W

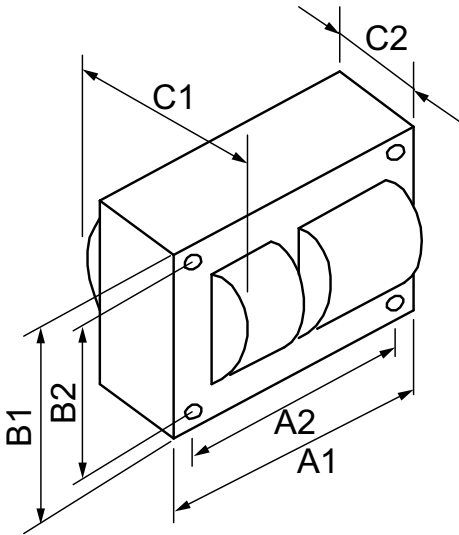
Hipot Test (1 Minute) 2000 V
 Hipot Test (2 Seconds) 2500 V
 UL Insulation Class H(180°C)
 UL Temperature Code 1029B

EAN/UPC - Product 781087078167
 Order code 913700533109
 Numerator - Quantity Per Pack 1
 Numerator - Packs per outer box 1
 Material Nr. (12NC) 913700533109
 Net Weight (Piece) 2.935 kg

• **Product Data**

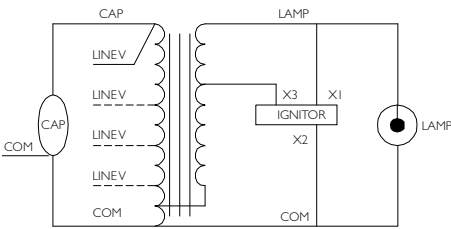
Order product name CORE & COIL HID 71A53A0001D

Dimensional drawing



MH BAL 100W M90/140 120/277/347V KIT

Product	C1	C2	A1	A2	B1	B2
CORE & COIL HID 71A53A0001D	2.9 in	1.7 in	3.9 in	3.5 in	2.8 in	2.4 in



© 2016 Philips Lighting Holding B.V.
 All rights reserved.

Specifications are subject to change without notice. Trademarks are the property of Koninklijke Philips N.V. (Royal Philips) or their respective owners.

www.philips.com/lighting

2016, February 1
 data subject to change