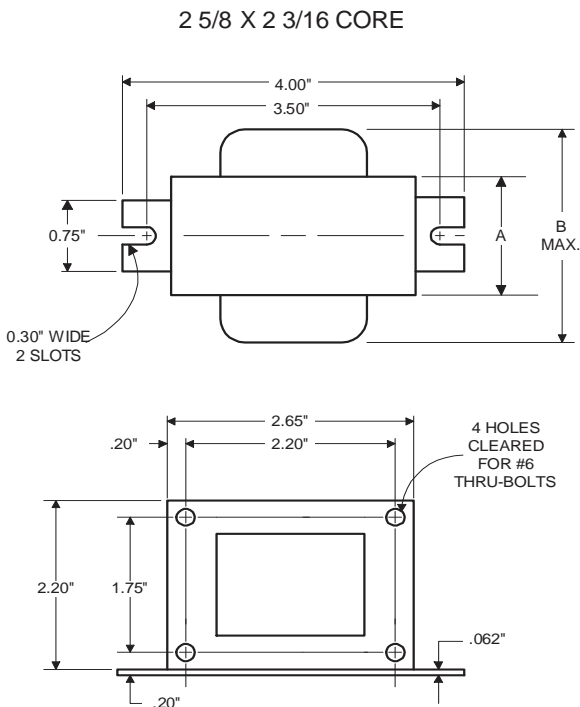




Metal  
Halide  
Lamp Ballast

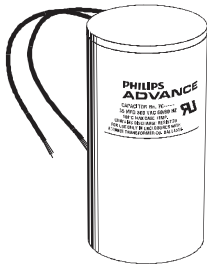
Catalog Number 71A5337BP  
For 100W M90/M140  
60 Hz R-HPF  
Status: Active

**DIMENSIONS AND DATA**



|  |                |   |   |   |   |
|--|----------------|---|---|---|---|
| INPUT VOLTS  | 277            |   |   |   |   |
| CIRCUIT TYPE   | R-HPF          |   |   |   |   |
| POWER FACTOR (min)   | 90%            |   |   |   |   |
| REGULATION   |                |   |   |   |   |
| Line Volts   | ±5%            |   |   |   |   |
| Lamp Watts   | ±10%           |   |   |   |   |
| LINE CURRENT (Amps)  |                |   |   |   |   |
| Operating.....   | 0.45           |   |   |   |   |
| Open Circuit.....  | 1.05           |   |   |   |   |
| Starting.....  | 0.70           |   |   |   |   |
| UL TEMPERATURE RATINGS   |                |   |   |   |   |
| Insulation Class   | H(180°C)       |   |   |   |   |
| Coil Temperature Code  | 1029           | A |   |   |   |
| MIN. AMBIENT STARTING TEMP.  | -20°F or -30°C |   |   |   |   |
| NOM. OPEN CIRCUIT VOLTAGE  | 277            |   |   |   |   |
| INPUT VOLTAGE AT LAMP DROPOUT.....   | 190            |   |   |   |   |
| INPUT WATTS  | 118            |   |   |   |   |
| RECOMMENDED FUSE (Amps).....   | 3              |   |   |   |   |
| CORE and COIL  |                |   |   |   |   |
| Dimension (A)  | 1.80           |   |   |   |   |
| Dimension (B)  | 3.10           |   |   |   |   |
| Weight (lbs.)  | 3.2            |   |   |   |   |
| Lead Lengths   | 12"            |   |   |   |   |
| CAPACITOR REQUIREMENT  |                |   |   |   |   |
| Microfarads  | 10.0           |   |   |   |   |
| Volts (min.)   | 280            |   |   |   |   |
| Fault Current Withstand (amps)   |                |   |   |   |   |
| 60 Hz TEST PROCEDURES (Refer to Advance Test Procedure for HID Ballasts - Form 1270) |                |   |   |   |   |
| High Potential Test (Volts)  |                |   |   |   |   |
| 1 minute   | 2000           |   |   |   |   |
| 2 seconds  | 2500           |   |   |   |   |
| Open Circuit Voltage Test (Volts)  | 260-290        |   |   |   |   |
| Short-Circuit Current Test (Amps)  |                |   |   |   |   |
| Secondary Current  | 1.05-1.55      |   |   |   |   |
| Input Current.....   | 0.25-0.35      | - | - | - | - |

Capacitor: 7C100M30RA



Capacitance: 10  
Dia/Oval Dim: 1.65  
Height: 2.75  
Temp Rating: 105°C

Wiring Diagram:

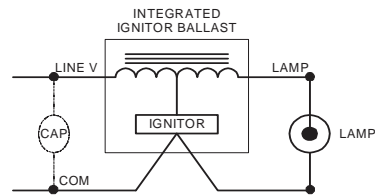


Fig. H

Ordering Information

| Order Suffix | Description  |
|--------------|--|
| INTEGRAL     | An ignitor integral to the core and coil assembly is used to start the lamp. |
|              | Ballast to Lamp Distance (BTL) = 2 feet                                      |
|              | Temp Rating: 125°C   |

Data is based upon tests performed by Advance Transformer in a controlled environment and representative of relative performance. Actual performance can vary depending on operating conditions. Specifications are subject to change without notice.

**ADVANCE TRANSFORMER CO.**

O'HARE INTERNATIONAL CENTER · 10275 WEST HIGGINS ROAD · ROSEMONT, IL 60018  
Customer Support/Technical Service: Phone: 800-372-3331 · Fax: 847-768-7768  
Corporate Offices: Phone: 800-322-2086

07/31/09