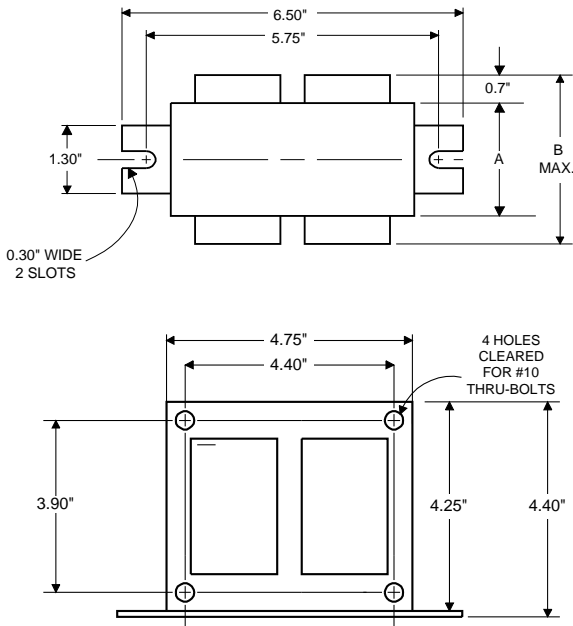
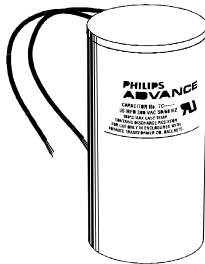


DIMENSIONS AND DATA

4 1/4 X 4 3/4 CORE - 2 COIL UNIT



Capacitor: 7C160M30



Capacitance: 16
Dia/Oval Dim: 1.5
Height: 3.75
Temp Rating: 105°C

Ignitor: NA

This ballast does not require the use of an ignitor.

INPUT VOLTS		347	480				
CIRCUIT TYPE	HX-HPF						
POWER FACTOR (min)	90%						
REGULATION							
Line Volts	±5%						
Lamp Watts	±10%						
LINE CURRENT (Amps)							
Operating.....		0.40	0.29				
Open Circuit.....		1.35	0.95				
Starting.....		0.39	0.28				
UL TEMPERATURE RATINGS	H(180°C)						
Insulation Class	1029						
Coil Temperature Code	-20°F or -30°C	A	A				
MIN. AMBIENT STARTING TEMP.	520						
NOM. OPEN CIRCUIT VOLTAGE							
INPUT VOLTAGE AT LAMP DROPOUT.....	125	180	245				
INPUT WATTS							
RECOMMENDED FUSE (Amps).....		4	3				
CORE and COIL							
Dimension (A)	1.75						
Dimension (B)	3.35						
Weight (lbs.)	10.2						
Lead Lengths	12"						
CAPACITOR REQUIREMENT	16.0						
Microfarads	330						
Volts (min.)							
Fault Current Withstand (amps)							
60 Hz TEST PROCEDURES (Refer to Philips Lighting Electronics N.A. TEST Procedure for HID Ballasts - Form 127							
High Potential Test (Volts)	2000						
1 minute	2500						
2 seconds	465-575						
Open Circuit Voltage Test (Volts)							
Short-Circuit Current Test (Amps)	0.91-1.12						
Secondary Current							
Input Current.....		0.18-	0.12-	-	-	-	-
		0.28	0.19				



U.L. RECOGNIZED

Wiring Diagram:

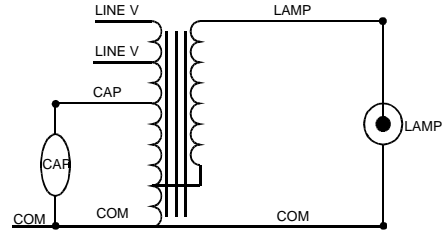


Fig. Q2

Typical Ordering Information

(please call Philips Lighting Electronics N.A. for suffix availability)

Order Suffix	Description

Data is based upon tests performed by Philips Lighting Electronics N.A. in a controlled environment and is representative of relative performance. Actual performance can vary depending on operating conditions. Specifications are subject to change without notice.

PHILIPS LIGHTING ELECTRONICS N.A.

10275 WEST HIGGINS ROAD · ROSEMONT, IL 60018

Tel: 800-322-2086 · Fax: 888-423-1882 · www.philips.com/advance

Customer Support/Technical Service: 800-372-3331 · OEM Support: 866-915-5886

Revised: 05/19/05