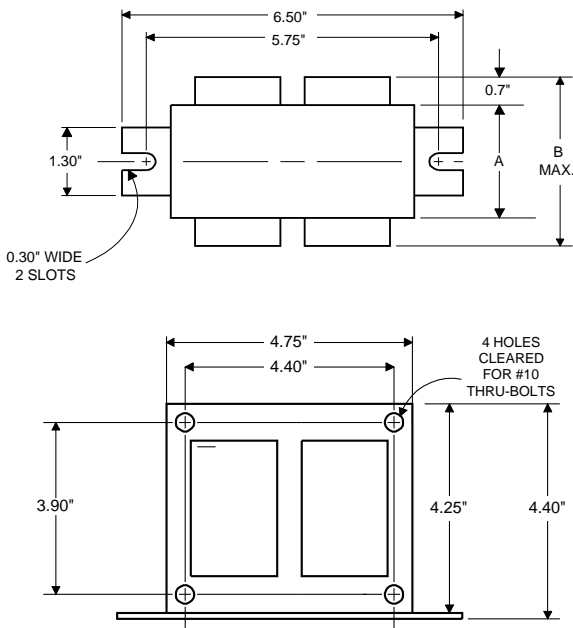


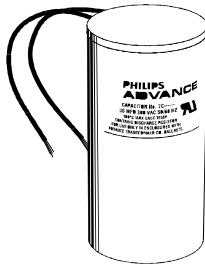
**DIMENSIONS AND DATA**

4 1/4 X 4 3/4 CORE - 2 COIL UNIT



	120	208	240	277
INPUT VOLTS				
CIRCUIT TYPE	HX-HPF			
POWER FACTOR (min)	90%			
REGULATION				
Line Volts	±5%			
Lamp Watts	±10%			
LINE CURRENT (Amps)				
Operating.....	1.06	0.60	0.53	0.50
Open Circuit.....	4.10	2.30	2.00	1.75
Starting.....	1.15	0.65	0.60	0.52
UL TEMPERATURE RATINGS				
Insulation Class	H(180°C)			
Coil Temperature Code	1029			
MIN. AMBIENT STARTING TEMP.	-20°F or -30°C			
NOM. OPEN CIRCUIT VOLTAGE	515			
INPUT VOLTAGE AT LAMP DROPOUT.....	65	110	120	140
INPUT WATTS	125			
RECOMMENDED FUSE (Amps).....	11	6	5	5
CORE and COIL				
Dimension (A)	1.75			
Dimension (B)	3.25			
Weight (lbs.)	10			
Lead Lengths	12"			
CAPACITOR REQUIREMENT				
Microfarads	17.5			
Volts (min.)	330			
Fault Current Withstand (amps)				
60 Hz TEST PROCEDURES (Refer to Philips Lighting Electronics N.A. TEST Procedure for HID Ballasts - Form 127 High Potential Test (Volts)				
1 minute	2000			
2 seconds	2500			
Open Circuit Voltage Test (Volts)	460-565			
Short-Circuit Current Test (Amps)				
Secondary Current	0.90-1.10			
Input Current.....	0.32-0.48	0.17-0.26	0.16-0.24	0.13-0.20

Capacitor: 7C175M30-R



Capacitance: 17.5  
Dia/Oval Dim: 1.5  
Height: 3.75  
Temp Rating: 105°C



Wiring Diagram:

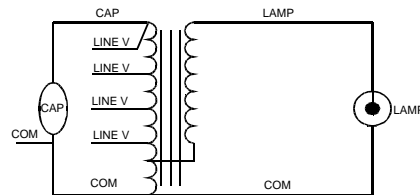


Fig. Q4

**Typical Ordering Information**

(please call Philips Lighting Electronics N.A. for suffix availability)

**Order Suffix**

**Description**

Ignitor: NA

This ballast does not require the use of an ignitor.

Data is based upon tests performed by Philips Lighting Electronics N.A. in a controlled environment and is representative of relative performance. Actual performance can vary depending on operating conditions. Specifications are subject to change without notice.

**PHILIPS LIGHTING ELECTRONICS N.A.**

10275 WEST HIGGINS ROAD · ROSEMONT, IL 60018

Tel: 800-322-2086 · Fax: 888-423-1882 · www.philips.com/advance

Customer Support/Technical Service: 800-372-3331 · OEM Support: 866-915-5886