

Specifications

Regulatory Approvals

- cULus Listed
- NOM certified
- FCC Approved. Complies with the limits for a Class B digital device, pursuant to Part 15 of the FCC Rules
- Industry Canada certified
- COFETEL certified

Power

Operating voltage:
120 V~ 50/60 Hz

Key Design Features*

- Tested to withstand electrostatic discharge without damage or memory loss, in accordance with IEC 61000-4-2.
- Tested to withstand surge voltages without damage or loss of operation, in accordance with IEEE C62.41-1991 Recommended Practice on Surge Voltages in Low-Voltage AC Power Circuits.
- Dimmers always operate locally and do not require system control.
- Power failure memory: should power be interrupted, the control will return to its previously set level prior to the interruption when power is restored.
- Uses Lutron® Claro® wallplates or designer-style wallplates from other manufacturers. Wallplates are sold separately.
- Lutron® Claro® wallplates snap on with no visible means of attachment.
- Requires a 1-gang U.S. wallbox. 3½ in (89 mm) deep recommended, 2¼ in (57 mm) deep minimum.
- Green LEDs indicate load status.

System Communications and Capacity

- The Caséta™ Wireless in-wall dimmer communicates with the Pico® remote controls and Radio Powr Savr™ sensors through radio frequency (RF).
- The Caséta™ Wireless in-wall dimmer must be located within 60 ft (18 m) line-of-sight or 30 ft (9 m) through walls, of Pico® remote controls and Radio Powr Savr™ sensors.
- Up to ten transmitting devices may be associated to each in-wall dimmer.

Environment

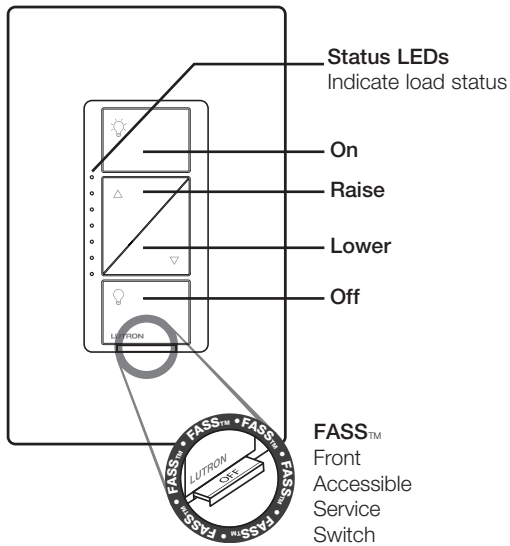
- Ambient operating temperature: 32 °F to 104 °F (0 °C to 40 °C), 0%-90% humidity, non-condensing. Indoor use only.

* For advanced features, tips on how to use Caséta™ Wireless dimmers with CFLs and LEDs, the complete Caséta™ Wireless product line, and more, please visit www.casetawireless.com/features

Job Name:	Model Numbers:
Job Number:	

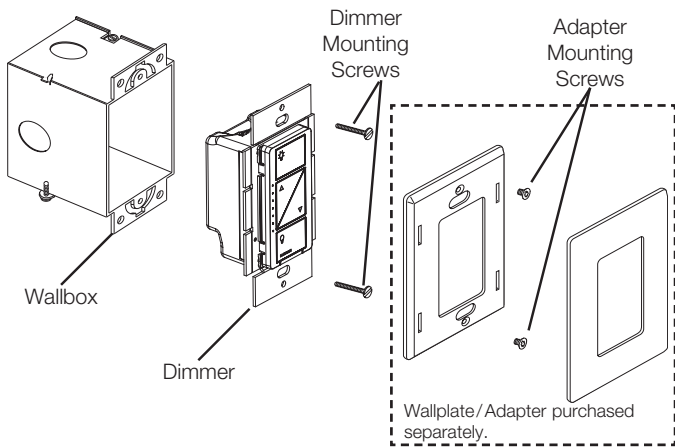
Operation

In-Wall Dimmer



IMPORTANT NOTICE:
FASS™ - Front Accessible Service Switch - to service load, remove power by pulling the FASS™ switch out completely on Switch. After servicing load, push the FASS™ switch back in fully to restore power to the control.

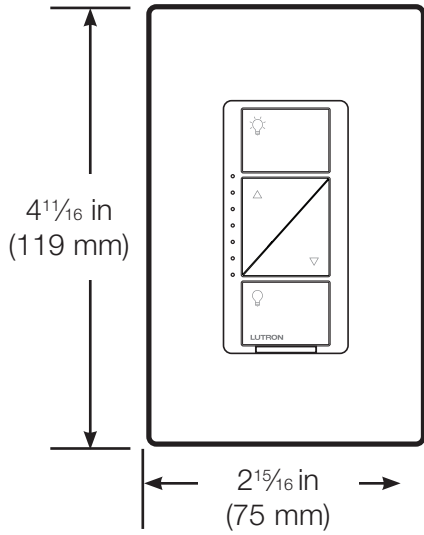
Mounting



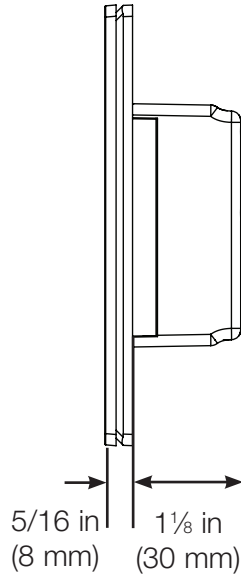
Job Name:	Model Numbers:
Job Number:	

Dimensions

Front View

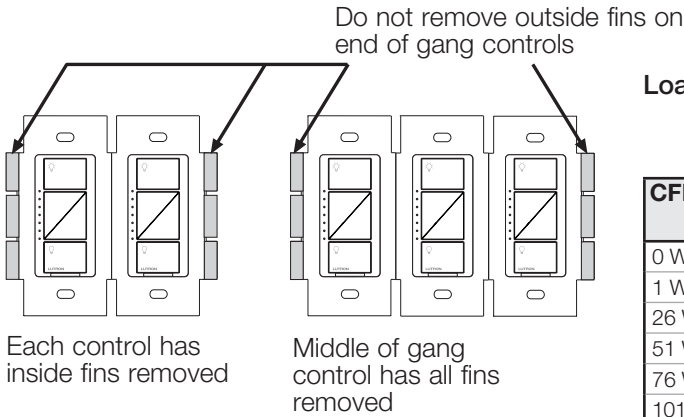


Side View



Ganging and Derating

When ganging with other controls in the same wallbox, derating is required. See Load Type and Capacity chart.



Load Type and Capacity*

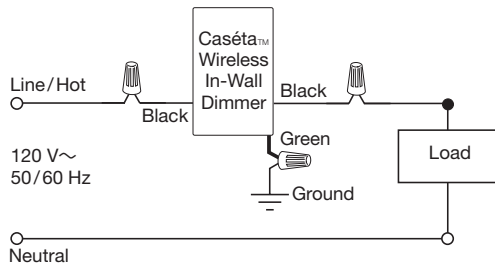
CFL/LED Total Wattage		Incandescent/Halogen Total Wattage		
		A	B	C
0 W	+	600 W	500 W	400 W
1 W – 25 W	+	500 W	400 W	300 W
26 W – 50 W	+	400 W	300 W	200 W
51 W – 75 W	+	300 W	200 W	100 W
76 W – 100 W	+	200 W	100 W	50 W
101 W – 125 W	+	100 W	50 W	0 W
126 W – 150 W	+	0 W	0 W	0 W

- Mixing bulb types (using a combination of CFL/LED and incandescent/halogen bulbs) reduces maximum wattage as shown in the chart above.
 - In-wall dimmer has a minimum load requirement of 25 W or one bulb from the compatible bulb list.
- * See www.casetawireless.com/bulblast for the latest list of compatible bulbs.

Job Name:	Model Numbers:
Job Number:	

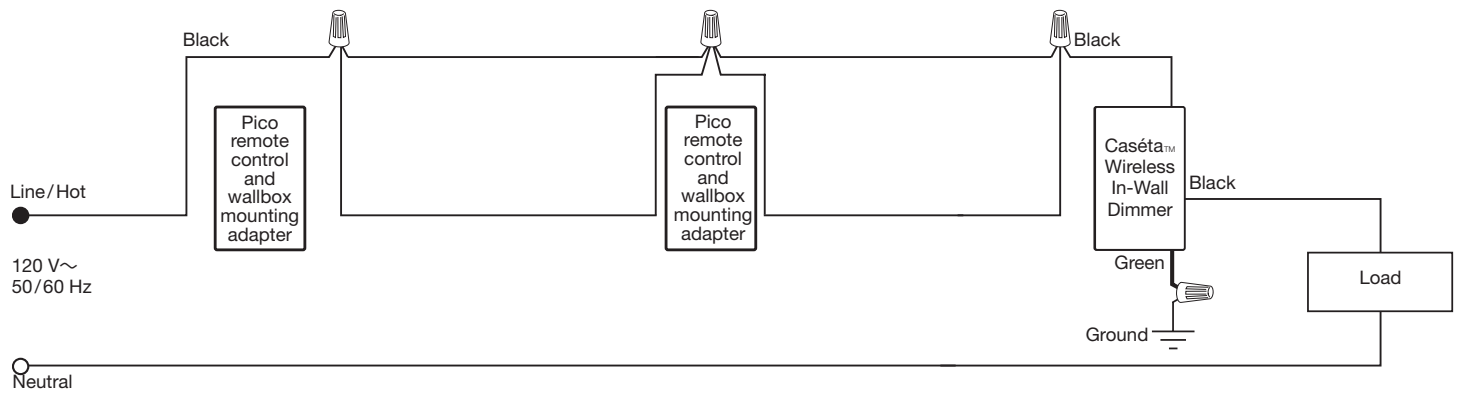
Wiring Diagrams

Single Location Installation



Multi-Location Installation

With Pico® remote controls (PJ2-XX-XX) and wallbox mounting adapters (PICO-WBX-ADAPT)



Colors and Finishes

Gloss Finishes



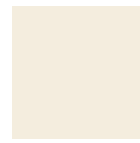
White
WH



Black
BL



Ivory
IV



Light Almond
LA

Due to printing limitations, colors and finishes shown cannot be guaranteed to perfectly match actual product colors.

Job Name:	Model Numbers:
Job Number:	